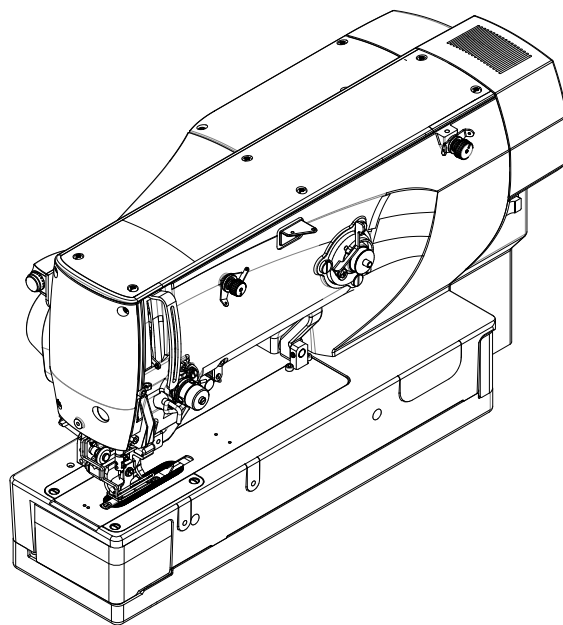


---

在使用机器之前请阅读本零件手册。  
请将本零件手册放在便于查阅的地方保管。  
Please read this parts book before using the machine.  
Please keep this parts book within easy reach for quick reference.

---

## 高速电子平扣眼锁眼缝纫机 Compuer-controlled,High-speed,Lockstitch Buttonling Machine



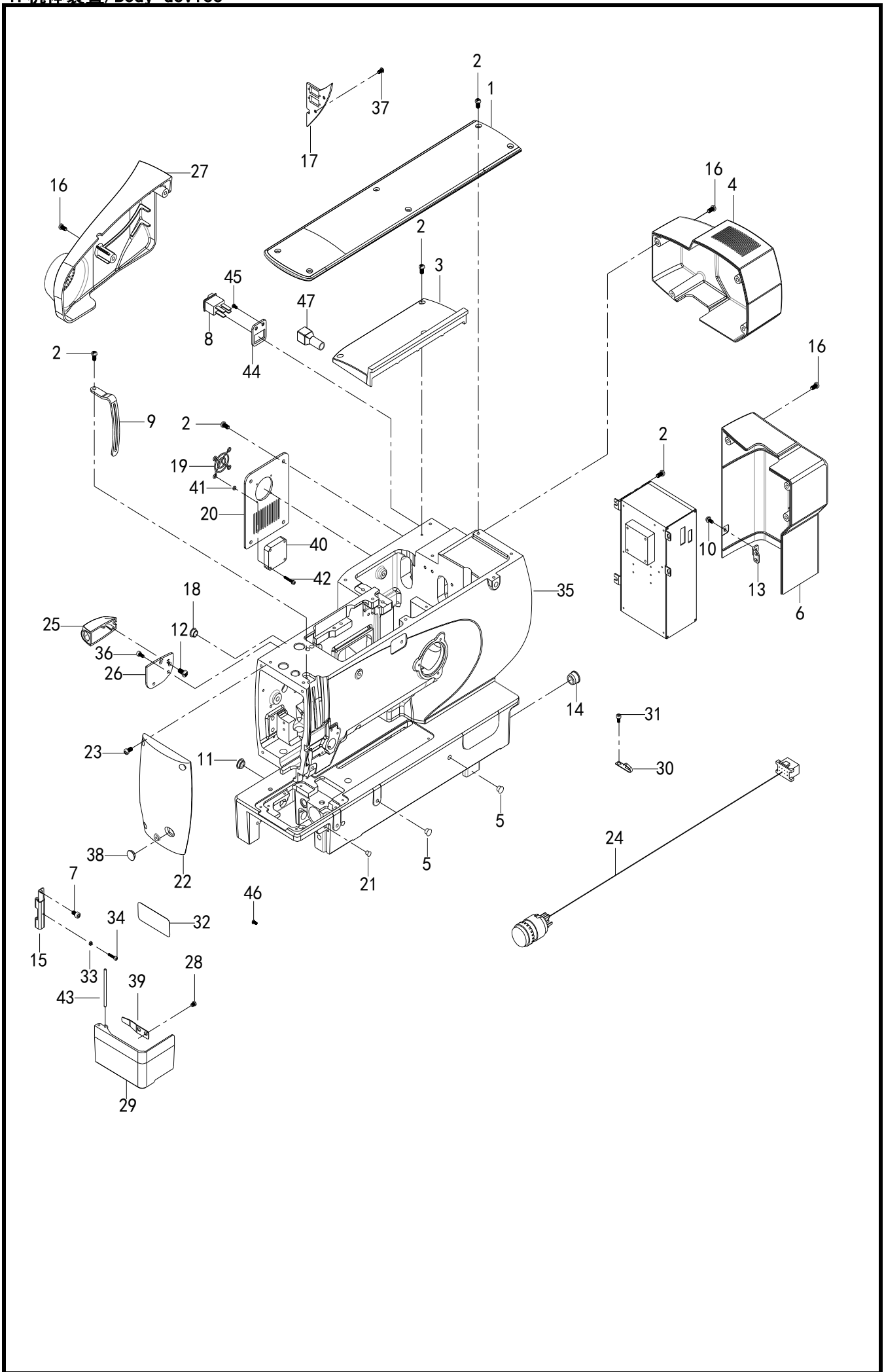
# 目 录

|           |    |
|-----------|----|
| 1 机体装置    | 1  |
| 2 穿线装置    | 3  |
| 3 上轴装置    | 5  |
| 4 下轴装置    | 7  |
| 5 压脚、送料装置 | 9  |
| 6 针杆摇动装置  | 13 |
| 7 上剪线装置   | 15 |
| 8 下剪线装置   | 19 |
| 9 切刀装置    | 23 |
| 10 电控箱装置  | 25 |
| 11 操作屏装置  | 27 |
| 12 附件     | 29 |
| 13 线架装置装置 | 31 |
| 14 特殊类型装置 | 33 |

# CONTENTS

|  |           |
|--|-----------|
| <b>1 Body device.....</b>                  | <b>1</b>  |
| <b>2 Threading device.....</b>             | <b>3</b>  |
| <b>3 Upper shaft device.....</b>           | <b>5</b>  |
| <b>4 Lower shaft device.....</b>           | <b>7</b>  |
| <b>5 Presser foot, feeding device.....</b> | <b>9</b>  |
| <b>6 Needle bar rocking device.....</b>    | <b>13</b> |
| <b>7 Upper trimming device.....</b>        | <b>15</b> |
| <b>8 Lower thread trimming device.....</b> | <b>19</b> |
| <b>9 Cutter device.....</b>                | <b>23</b> |
| <b>10 Electric control box device.....</b> | <b>25</b> |
| <b>11 Operation screen device.....</b>     | <b>27</b> |
| <b>12 Appendix.....</b>                    | <b>29</b> |
| <b>13 Wire rack device parts.....</b>      | <b>31</b> |
| <b>14 Special type parts.....</b>          | <b>33</b> |

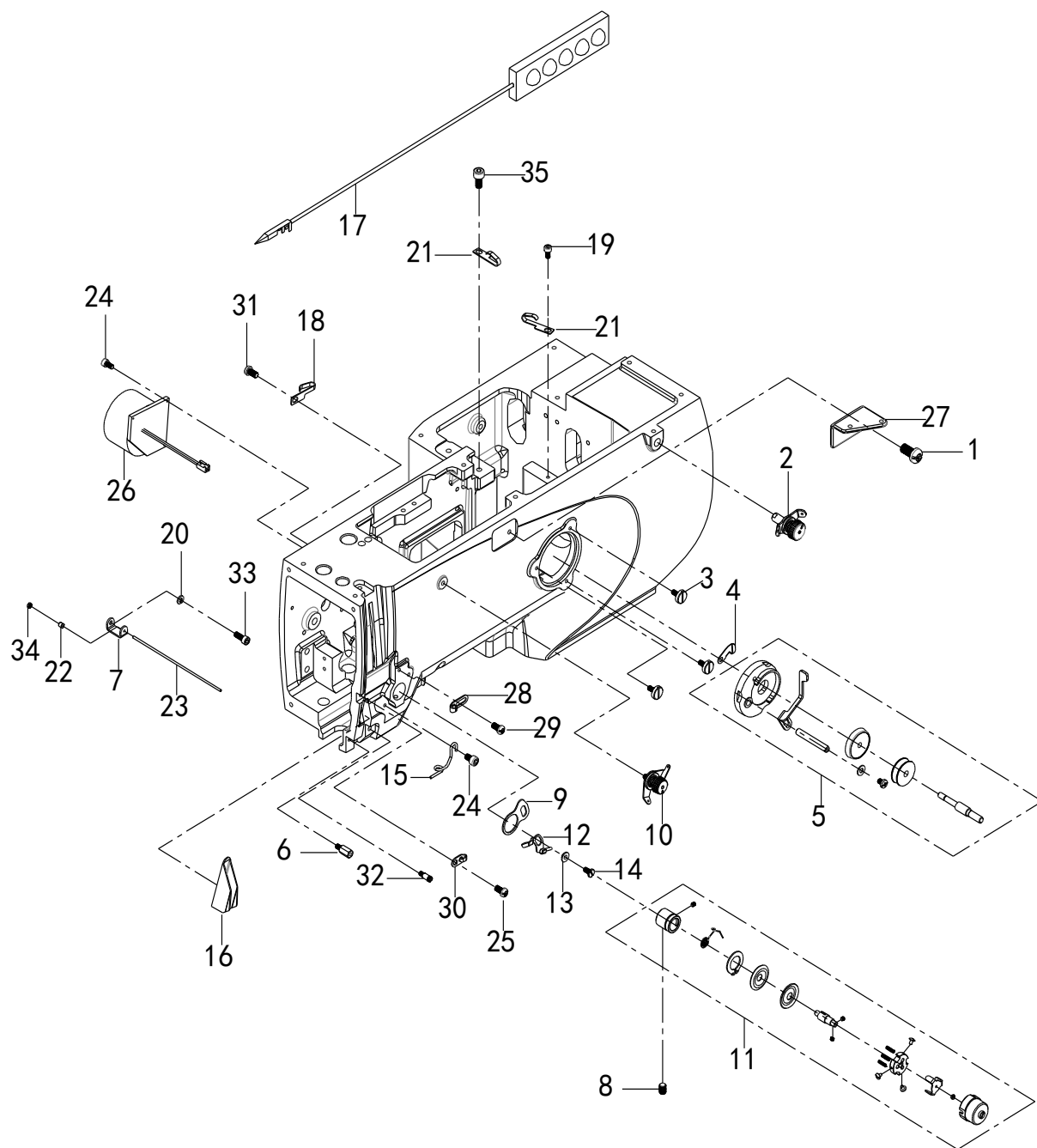
1. 机体装置/Body device



1. 机体装置/Body device

| NO | 零部件号     | 数量 | 零部件名称                   | NAME OF PARTS                                | 老助记码 |
|----|----------|----|-------------------------|--|------|
| 1  | 10706630 | 1  | 上盖A                     | COVER A                                      |      |
| 2  | 01405100 | 18 | 十字盘头螺钉M5X10             | CROSS PAN HEAD SCREW M5X10                   |      |
| 3  | 10706640 | 1  | 上盖B                     | COVER B                                      |      |
| 4  | 10712090 | 1  | 后罩A                     | COVER AFTER A                                |      |
| 5  | 13100660 | 2  | 橡皮塞8                    | RUBBER PLUG 8                                |      |
| 6  | 10712070 | 1  | 后罩B                     | ELECTRIC CONTROL HOUSINGS                    |      |
| 7  | 01205060 | 2  | 内六角螺栓（镀镍）M5X6           | HEXAGON SOCKET BOLT (NICKEL PLATED) M5X6     |      |
| 8  | 10386570 | 1  | 船型开关/R9D8KKET00F10（540） | SHIP SWITCH /R9D8KKET00F10（540）              |      |
| 9  | 10707260 | 1  | 挑线杆防护罩                  | POLE GUARD                                   |      |
| 10 | 01504105 | 1  | 十字盘头螺钉（带垫圈）M4X10DA      | CROSS PAN HEAD SCREW (WITH WASHER)M4X10DA    |      |
| 11 | 13100360 | 1  | 橡皮塞15.5                 | RUBBER PLUG 15.5                             |      |
| 12 | 10742180 | 2  | 十字沉头自攻螺钉ST3X10          | CROSS COUNTERSUNK HEAD TAPPING SCREWS ST3X10 |      |
| 13 | 10707270 | 1  | 罩壳支架                    | COVER BRACKET                                |      |
| 14 | 13100680 | 1  | 橡皮塞17                   | RUBBER PLUG 17                               |      |
| 15 | 13100200 | 1  | 防护板固定板                  | GUARD PLATE FIXED PLATE                      |      |
| 16 | 00705125 | 9  | 十字盘头螺钉M5X12             |  |      |
| 17 | 10692550 | 1  | 后盖板                     | HOUGAIBAN                                    |      |
| 18 | 13100300 | 2  | 橡皮塞10.5                 | RUBBER PLUG 10.5                             |      |
| 19 | 13100840 | 1  | 风扇防护网                   | FAN SHIELD                                   |      |
| 20 | 10692540 | 1  | 侧盖板                     | THE SIDE COVER                               |      |
| 21 | 13100240 | 1  | 橡皮塞5.5                  | RUBBER PLUG 5.5                              |      |
| 22 | 10706670 | 1  | 前板面                     | FRONT PANEL                                  |      |
| 23 | 01405100 | 3  | 十字盘头螺钉M5X10             | CROSS PAN HEAD SCREW M5X10                   |      |
| 24 | 10750700 | 1  | 急停开关线                   | EMERGENCY STOP SWITCH LINE                   |      |
| 25 | 10814820 | 1  | 急停护罩                    | SCRAM HOUSINGS                               |      |
| 26 | 10707290 | 1  | 急停罩壳安装板                 | EMERGENCY STOP HOUSING MOUNTING PLATE        |      |
| 27 | 10814810 | 1  | 侧护罩                     | THE SIDE COVER                               |      |
| 28 | 01404051 | 1  | 一十字螺钉（黑色）SM4.34X5       | ONE CROSS SCREW (BLACK) SM4.34X5             |      |
| 29 | 13100160 | 1  | 旋梭防护板                   | SHUTTLE GUARD PLATE                          |      |
| 30 | 13100140 | 1  | 油管固定架                   | TUBING BRACKET                               |      |
| 31 | 01204085 | 1  | 内六角螺栓M4X8               | HEXAGON SOCKET BOLT M4X8                     |      |
| 32 | 13100180 | 1  | 穿线标签                    | THREADING LABEL                              |      |
| 33 | 00403250 | 1  | 螺母M3                    | NUT M3                                       |      |
| 34 | 01203140 | 1  | 内六角螺栓（镀镍）M3X14          | HEXAGON SOCKET BOLT (NICKEL PLATED) M3X14    |      |
| 35 | 10708040 | 1  | 1790新款机壳                | 1790 NEW CASE                                |      |
| 36 | 01204085 | 2  | 内六角螺栓M4X8               | HEXAGON SOCKET BOLT M4X8                     |      |
| 37 | 01204080 | 2  | 内六角平圆头螺钉M4X8            | HEXAGON SOCKET FLAT ROUND HEAD SCREWS M4X8   |      |
| 38 | 13100340 | 1  | 橡皮塞12.5                 | RUBBER PLUG 12.5                             |      |
| 39 | 13100190 | 1  | 弹簧片                     | LEAF SPRING                                  |      |
| 40 | 10772820 | 1  | 风扇                      | FAN  |      |
| 41 | 02000081 | 4  | 螺母（镀镍）M3                | NUT (NICKEL PLATED) M3                       |      |
| 42 | 01203140 | 4  | 内六角螺栓（镀镍）M3X14          | HEXAGON SOCKET BOLT (NICKEL PLATED) M3X14    |      |
| 43 | 13100170 | 1  | 防护板固定板轴                 | GUARD PLATE FIXED PLATE SHAFT                |      |
| 44 | 10794850 | 1  | 开关安装板                   | SWITCH MOUNTING PLATE                        |      |
| 45 | 01104080 | 2  | 一字沉头螺钉M4X8.7            | FLAT COUNTERSUNK HEAD SCREW M4X8.7           |      |
| 46 | 02000045 | 1  | 一字针杆连接螺钉（黑色）            | HEAD BAR CONNECTION SCREW (BLACK)            |      |
| 47 | 10809980 | 1  | 橡胶护套                    | RUBBER SHEATH                                |      |

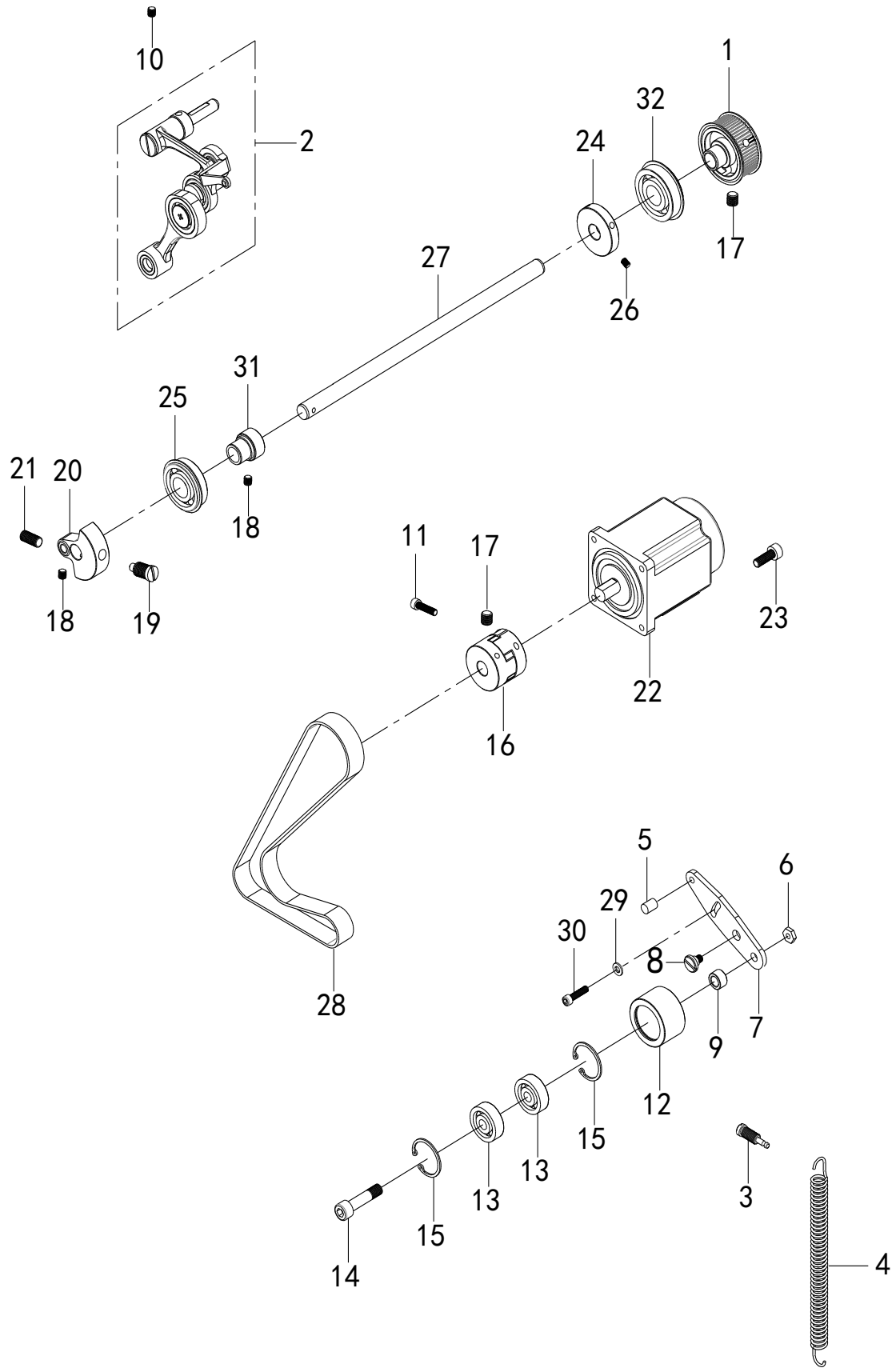
## 2. 穿线装置/Threading device



## 2. 穿线装置/Threading device

| NO | 零部件号     | 数量 | 零部件名称       | NAME OF PARTS                    | 老助记码 |
|----|----------|----|-------------|----------------------------------|------|
| 1  | 01405100 | 1  | 十字盘头螺钉M5X10 | PHILLIPS PAN HEAD SCREW M5X10    |      |
| 2  | 10707390 | 1  | 小夹线器        | SMALL THREAD CLAMP               |      |
| 3  | 02000043 | 3  | 一字平头螺钉M4X10 | SLOTTED FLAT HEAD SCREW M4X10    |      |
| 4  | 10707380 | 1  | 切线刀         | THREAD CUTTER                    |      |
| 5  | 13100920 | 1  | 绕线器组件       | 1790DS WINDER                    |      |
| 6  | 13104070 | 1  | 定位螺钉M4      | SET SCREW M4                     |      |
| 7  | 10668890 | 1  | 拉杆支架        | TIE ROD BRACKET                  |      |
| 8  | 00806060 | 1  | 内紧定螺钉M6X6   | SET SCREW M6X6                   |      |
| 9  | 15202450 | 1  | 导板          | GUIDES                           |      |
| 10 | 13100420 | 1  | 张力控制组件      | TENSION CONTROL COMPONENTS       |      |
| 11 | 10669240 | 1  | 紧线器组件       | TIGHTER ASSEMBLY                 |      |
| 12 | 10772580 | 1  | 断线感应器       | DISCONNECTION SENSOR             |      |
| 13 | 15204180 | 1  | 尼龙垫片        | NYLON GASKET                     |      |
| 14 | 01904085 | 1  | 一字平头螺钉M4X8  | SLOTTED FLAT HEAD SCREW M4X8     |      |
| 15 | 13100700 | 1  | 过线钩         | THREAD HOOK                      |      |
| 16 | 13100970 | 1  | 导线槽         | WIRE TROUGH                      |      |
| 17 | 10752070 | 1  | LED灯        | LED LIGHTS                       |      |
| 18 | 13100830 | 1  | 铁线夹         | IRON CLAMP                       |      |
| 19 | 01204060 | 2  | 内六角螺栓M4X6   | HEXAGON SOCKET BOLT M4X6         |      |
| 20 | 00604001 | 1  | 弹簧垫圈4       | SPRING WASHER 4                  |      |
| 21 | 13100140 | 2  | 油管固定架       | TUBING HOLDER                    |      |
| 22 | 10669210 | 1  | 卡圈          | COLLAR                           |      |
| 23 | 10668880 | 1  | 拉杆          | TIE ROD                          |      |
| 24 | 01205080 | 3  | 内六角螺栓M5X8   | HEXAGON SOCKET BOLT M5X8         |      |
| 25 | 00705080 | 1  | 十字盘头螺钉M5X8  | PHILLIPS PAN HEAD SCREW M5X8     |      |
| 26 | 10772870 | 1  | 夹线电磁铁       | CLAMPING SOLENOID                |      |
| 27 | 10101940 | 1  | 过线导向        | THREAD GUIDE                     |      |
| 28 | 13100720 | 1  | 过线导向A       | THREAD GUIDE A                   |      |
| 29 | 00705080 | 1  | 十字盘头螺钉M5X8  | PHILLIPS PAN HEAD SCREW M5X8     |      |
| 30 | 13100710 | 1  | 过线导向B       | THREAD GUIDE B                   |      |
| 31 | 00705080 | 1  | 十字盘头螺钉M5X8  | PHILLIPS PAN HEAD SCREW M5X8     |      |
| 32 | 13104280 | 1  | 缓线钩定位螺钉(镀镍) | SLOW WIRE HOOK POSITIONING SCREW |      |
| 33 | 01304071 | 1  | 外六角螺栓M4X7   | HEXAGON BOLT M4X7                |      |
| 34 | 10001002 | 1  | 螺母M2        | NUT M2                           |      |
| 35 | 01206100 | 1  | 内六角螺栓M6X10  | HEXAGON SOCKET BOLT M6X10        |      |

3. 上轴装置/Upper shaft device



### 3. 上轴装置/Upper shaft device

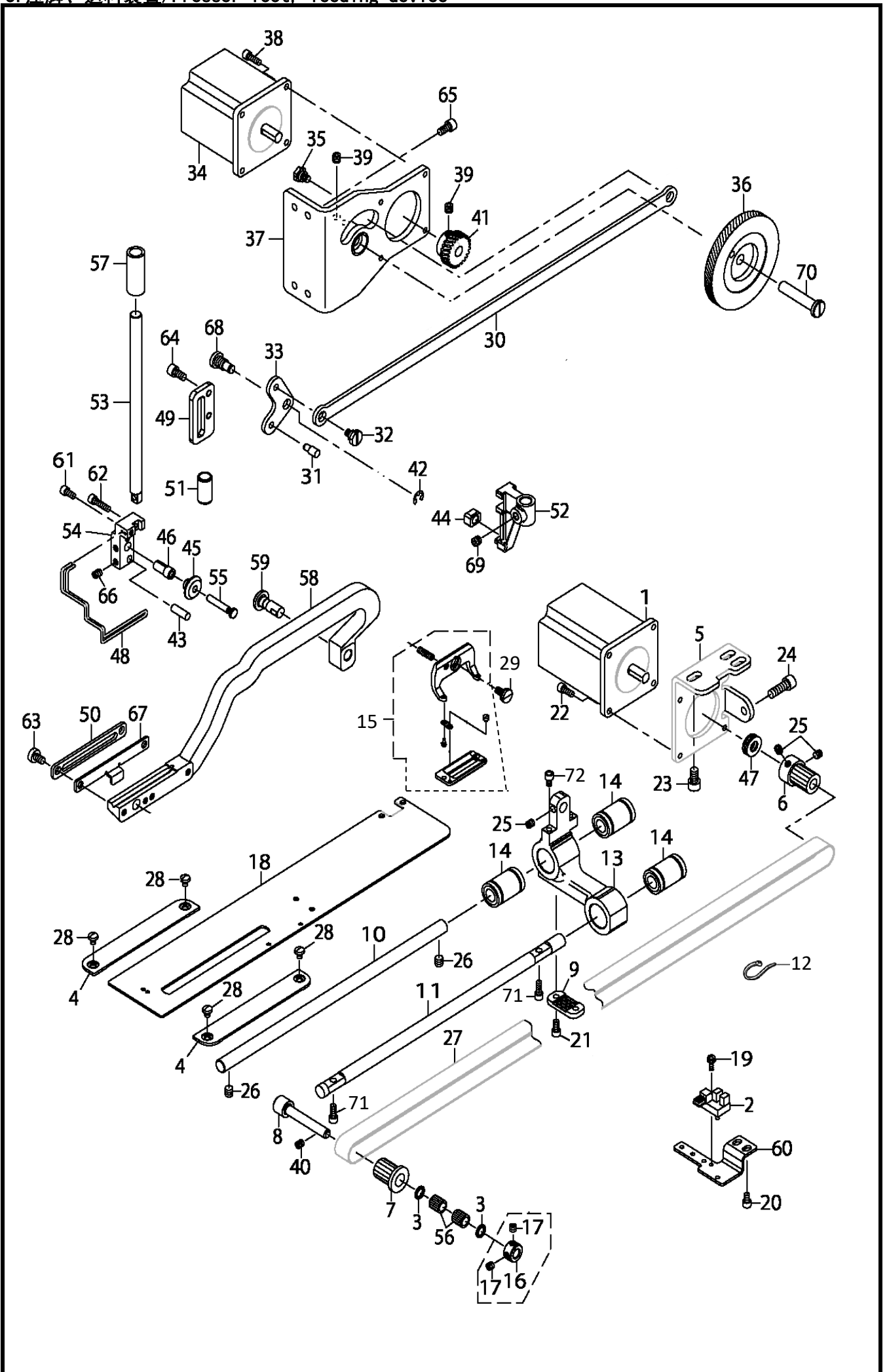
| NO | 零部件号     | 数量 | 零部件名称          | NAME OF PARTS                          | 老助记码 |
|----|----------|----|----------------|--|------|
| 1  | 13101080 | 1  | 上同步轮组件         | UPPER SYNCHRONIZATION WHEEL ASSEMBLY   |      |
| 2  | 10669140 | 1  | 挑线组件           | THREAD TAKE-UP ASSEMBLY                |      |
| 3  | 13104300 | 1  | 挂簧螺钉黑色         | HANGING SPRING SCREW BLACK             |      |
| 4  | 13101180 | 1  | 调整弹簧           | ADJUSTING SPRING                       |      |
| 5  | 13101170 | 1  | 挂簧销            | HANGING BOLT                           |      |
| 6  | 00410081 | 1  | 螺母黑色M10        | NUT BLACK M10                          |      |
| 7  | 13101140 | 1  | 张力轮安装板         | TENSION WHEEL MOUNTING PLATE           |      |
| 8  | 13104290 | 1  | 轴位螺钉外六角        | AXIAL SCREW OUTER HEXAGON              |      |
| 9  | 13101160 | 1  | 垫圈             | WASHER                                 |      |
| 10 | 00806060 | 2  | 内紧定螺钉M6X6      | SET SCREW M6X6                         |      |
| 11 | 01206251 | 1  | 内六角螺栓（黑色）M6X25 | HEXAGON SOCKET HEAD BOLT (BLACK) M6X25 |      |
| 12 | 13101150 | 1  | 张力轮            | TENSION WHEEL                          |      |
| 13 | 00163000 | 2  | 轴承6300         | BEARING 6300                           |      |
| 14 | 01210420 | 1  | 内六角螺栓M10X42.5  | HEXAGON SOCKET BOLT M10X42.5           |      |
| 15 | 00203370 | 2  | 孔用挡圈C35        | RETAINING RING FOR HOLE C35            |      |
| 16 | 13101030 | 1  | 联轴器            | COUPLING                               |      |
| 17 | 00806081 | 4  | 内紧定螺钉M6X8      | SET SCREW M6X8                         |      |
| 18 | 00806060 | 4  | 内紧定螺钉M6X6      | SET SCREW M6X6                         |      |
| 19 | 02000189 | 1  | 一字螺钉黑色         | SLOTTED SCREW BLACK                    |      |
| 20 | 13101010 | 1  | 针杆曲柄           | NEEDLE BAR CRANK                       |      |
| 21 | 00808161 | 1  | 内紧定螺钉M8X16     | INTERNAL SET SCREW M8X16               |      |
| 22 | 10741260 | 1  | 主轴电机           | SPINDLE MOTOR                          |      |
| 23 | 01205201 | 4  | 内六角螺栓M5X20     | HEXAGON SOCKET BOLT M5X20              |      |
| 24 | 13101000 | 1  | 绕线轮            | REEL                                   |      |
| 25 | 00162040 | 1  | 轴承套6204        | BEARING SLEEVE 6204                    |      |
| 26 | 00805081 | 2  | 内紧定螺钉M5X8      | SET SCREW M5X8                         |      |
| 27 | 13101060 | 1  | 上轴             | UPPER AXIS                             |      |
| 28 | 13101130 | 1  | 同步带810-3GT-20  | SYNCHRONOUS BELT 810-3GT-20            |      |
| 29 | 00506161 | 1  | 平垫圈6.7×17.6×2  | FLAT WASHER 6.7×17.6×2                 |      |
| 30 | 01306141 | 1  | 外六角螺栓M6X16     | HEXAGON BOLT M6X16                     |      |
| 31 | 13100990 | 1  | 轴承固定套          | BEARING FIXING SLEEVE                  |      |
| 32 | 00163041 | 1  | 轴承6304DU       | BEARING 6304DU                         |      |



## 4. 下轴装置/Lower shaft device

| NO | 零部件号     | 数量   | 零部件名称           | NAME OF PARTS                          | 老助记码 |
|----|----------|------|-----------------|--|------|
| 1  | 00106901 | 2    | 轴承690           | BEARING 690                            |      |
| 2  | 00160001 | 2    | 轴承6000V         | BEARING 6000V                          |      |
| 3  | 00162020 | 1    | 轴承6202          | BEARING 6202                           |      |
| 4  | 02000135 | 1    | 轴承6202DDUNR     | BEARING 6202DDUNR                      |      |
| 5  | 13101200 | 1    | 轴承固定套           | BEARING FIXING SLEEVE                  |      |
| 6  | 13101210 | 2    | 轴承固定套           | BEARING FIXING SLEEVE                  |      |
| 7  | 00203270 | 2    | 孔用挡圈C27         | CIRCLIP FOR HOLE C27                   |      |
| 8  | 00806401 | 4    | 内紧定螺钉SM6. 35X40 | INTERNAL SET SCREW SM6. 35X40          |      |
| 9  | 13101230 | 1    | 下轴前轴套           | LOWER AXLE FRONT BUSHING               |      |
| 10 | 13101240 | 1    | 旋梭连接套组件         | ROTARY HOOK CONNECTING SLEEVE ASSEMBLY |      |
| 11 | 13101250 | 1    | 中同步带轮轴          | MIDDLE SYNCHRONOUS BELT WHEEL SHAFT    |      |
| 12 | 13101160 | 1    | 垫圈              | WASHER                                 |      |
| 13 | 13101280 | 1    | 旋梭(1790K)       | ROTARY SHUTTLE (1790K)                 |      |
| 13 | 13101260 | 1    | 旋梭(1790S)       | ROTARY SHUTTLE (1790S)                 |      |
| 14 | 13101270 | 1    | 手轮组件            | HANDWHEEL ASSEMBLY                     |      |
| 15 | 00806060 | 9    | 内紧定螺钉M6X6       | SET SCREW M6X6                         |      |
| 16 | 00806060 | 1    | 内紧定螺钉M6X6       | SET SCREW M6X6                         |      |
| 17 | 13101290 | 1    | 下轴后轴套           | LOWER AXLE REAR BUSHING                |      |
| 18 | 13101300 | 1    | 中同步带轮           | MIDDLE TIMING BELT WHEEL               |      |
| 19 | 13101310 | 1    | 下同步带轮组件         | LOWER SYNCHRONOUS PULLEY ASSEMBLY      |      |
| 20 | 13101320 | 1    | 衬套              | BUSHING                                |      |
| 21 | 00520010 | 1    | 垫圈黑色            | WASHER BLACK                           |      |
| 22 | 13101330 | 1    | 调整杆             | ADJUSTMENT LEVER                       |      |
| 23 | 02000082 | 1    | 调整螺母黑色          | ADJUSTING NUT BLACK                    |      |
| 24 | 02000190 | 1    | 旋梭流量调节螺钉黑色      | ROTARY HOOK FLOW ADJUSTMENT SCREW      |      |
| 25 | 13101340 | 1    | 油毡              | LINOLEUM                               |      |
| 26 | 13101350 | 0.25 | 油管3X250 (单位: m) | TUBING 3X250 (UNIT: M)                 |      |
| 27 | 13101360 | 1    | 油线              | OIL LINE                               |      |
| 28 | 13101370 | 1    | 梭芯              | BOBBIN                                 |      |
| 29 | 13101380 | 1    | 梭壳              | BOBBIN CASE                            |      |
| 30 | 13101390 | 1    | 油量控制架           | FUEL CONTROL FRAME                     |      |
| 31 | 13101400 | 1    | 油毡              | LINOLEUM                               |      |
| 32 | 00805050 | 2    | 内紧定螺钉M5X5       | SET SCREW M5X5                         |      |
| 33 | 13101360 | 1    | 油线              | OIL LINE                               |      |

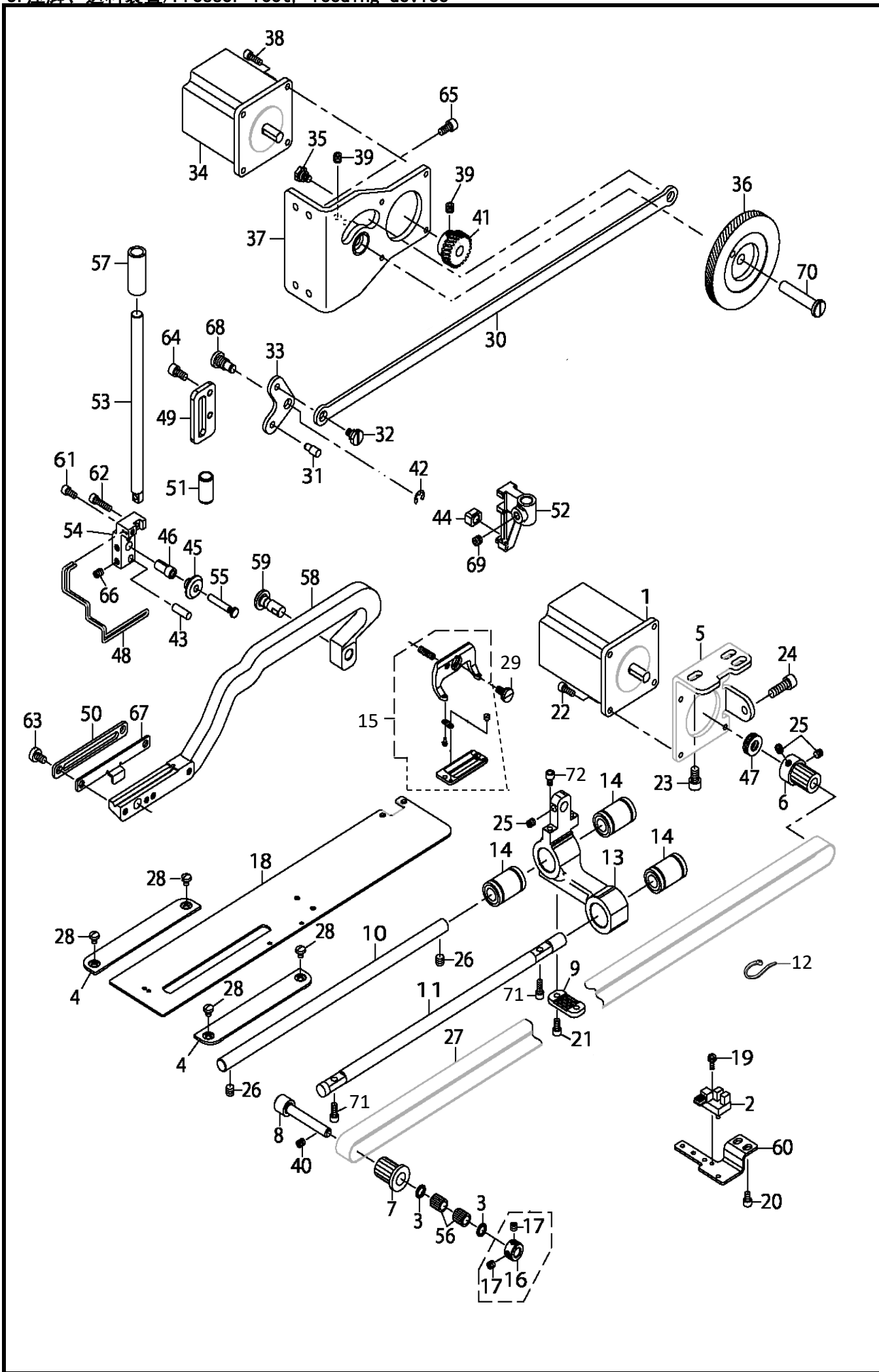
5. 压脚、送料装置/Presser foot, feeding device



## 5. 压脚、送料装置/Presser foot, feeding device

| NO | 零部件号     | 数量 | 零部件名称          | NAME OF PARTS                          | 老助记码 |
|----|----------|----|----------------|--|------|
| 1  | 10736730 | 1  | 送布电机           | FEEDING MOTOR                          |      |
| 2  | 10772620 | 1  | 送布感应器          | FEED SENSOR                            |      |
| 3  | 13101430 | 2  | 封油垫片           | SEALING GASKET                         |      |
| 4  | 13101440 | 2  | 固定板            | FIXED PLATE                            |      |
| 5  | 13101450 | 1  | 送料步进电机固定架      | FEEDING STEPPER MOTOR FIXING FRAME     |      |
| 6  | 13101460 | 1  | 送料前同步带轮组件      | SYNCHRONOUS BELT WHEEL BEFORE FEEDING  |      |
| 7  | 13101470 | 1  | 送料前同步带轮组件      | SYNCHRONOUS BELT WHEEL BEFORE FEEDING  |      |
| 8  | 13101480 | 1  | 送料前同步轮轴        | SYNCHRONOUS AXLE BEFORE FEEDING        |      |
| 9  | 13101490 | 1  | 固定板            | FIXED PLATE                            |      |
| 10 | 13101500 | 1  | 支架轴            | BRACKET SHAFT                          |      |
| 11 | 13101510 | 1  | 送布支架导向轴        | FEEDING BRACKET GUIDE SHAFT            |      |
| 12 | 16300810 | 2  | 扎带3X100        | CABLE TIE 3X100                        |      |
| 13 | 13101520 | 1  | 送布支架           | FEEDING BRACKET                        |      |
| 14 | 02000129 | 3  | 轴向轴承10         | AXIAL BEARING 10                       |      |
| 15 | 13101880 | 1  | 压脚组件1790K      | PRESSER FOOT ASSEMBLY 1790K            |      |
| 15 | 13101900 | 1  | 压脚组件1790S      | PRESSER FOOT ASSEMBLY 1790S            |      |
| 16 | 13101530 | 1  | 挡圈             | RETAINING RING                         |      |
| 17 | 00805050 | 2  | 内紧定螺钉M5X5      | SET SCREW M5X5                         |      |
| 18 | 13101540 | 1  | 送料板            | FEEDING PLATE                          |      |
| 19 | 01503080 | 1  | 十字盘头螺钉M3X8DA   | PHILLIPS PAN HEAD SCREW M3X8DA         |      |
| 20 | 01204060 | 2  | 内六角螺栓M4X6      | HEXAGON SOCKET BOLT M4X6               |      |
| 21 | 02000018 | 2  | 内六角螺栓M4X8      | HEXAGON SOCKET BOLT M4X8               |      |
| 22 | 01204101 | 4  | 内六角螺栓M4X12     | HEXAGON SOCKET BOLT M4X12              |      |
| 23 | 01206100 | 3  | 内六角螺栓M6X10     | HEXAGON SOCKET BOLT M6X10              |      |
| 24 | 01206185 | 1  | 内六角螺栓M6X18     | HEXAGON SOCKET BOLT M6X18              |      |
| 25 | 00805050 | 3  | 内紧定螺钉M5X5      | SET SCREW M5X5                         |      |
| 26 | 00806060 | 2  | 内紧定螺钉M6X6      | SET SCREW M6X6                         |      |
| 27 | 13101550 | 1  | 同步带708-3GT-15  | SYNCHRONOUS BELT 708-3GT-15            |      |
| 28 | 01904050 | 4  | 一字平头螺栓M4X5     | FLAT HEAD BOLT M4X5                    |      |
| 29 | 13104110 | 1  | 一字压脚螺钉(镀镍)     | SLOTTED PRESSER FOOT SCREW             |      |
| 30 | 13101640 | 1  | 压脚升降拉杆         | PRESSER FOOT LIFTING ROD               |      |
| 31 | 13101850 | 1  | 连接销            | CONNECTING PIN                         |      |
| 32 | 13104080 | 1  | 压脚升降摆动板螺钉外六角黑色 | PRESSER FOOT LIFTING PLATE SCREW       |      |
| 33 | 13101620 | 1  | 压脚升降摆动板        | PRESSER FOOT LIFTING SWING PLATE       |      |
| 34 | 10736660 | 1  | 压脚电机           | PRESSER FOOT MOTOR                     |      |
| 35 | 13104080 | 1  | 压脚升降摆动板螺钉外六角黑色 | PRESSER FOOT LIFTING PLATE SCREW       |      |
| 36 | 13101660 | 1  | 压脚升降持齿A组件      | PRESSER FOOT LIFTING AND HOLDING TOOTH |      |
| 37 | 13101670 | 1  | 压脚电机安装板组件      | PRESSER FOOT MOTOR MOUNTING PLATE      |      |
| 38 | 01204121 | 4  | 内六角螺栓M4X12     | HEXAGON SOCKET BOLT M4X12              |      |
| 39 | 00806050 | 4  | 内紧定螺钉M6X5      | SET SCREW M6X5                         |      |
| 40 | 00805050 | 1  | 内紧定螺钉M5X5      | SET SCREW M5X5                         |      |
| 41 | 13101590 | 1  | 压脚升降齿轮S        | PRESSER FOOT LIFTING GEAR S            |      |
| 42 | 00201050 | 1  | 挡圈 E5          | RETAINING RING E5                      |      |
| 43 | 13101680 | 1  | 压脚支架固定轴        | PRESSER FOOT HOLDER FIXED SHAFT        |      |
| 44 | 13101580 | 1  | 压脚导向连接块        | PRESSER FOOT GUIDE CONNECTING BLOCK    |      |
| 45 | 13101690 | 1  | 滑轮             | PULLEY                                 |      |
| 46 | 13101700 | 1  | 衬套             | BUSHING                                |      |
| 47 | 00108050 | 1  | 送布马达轴承         | FEED MOTOR BEARING                     |      |
| 48 | 13101720 | 1  | 防护簧            | PROTECTIVE SPRING                      |      |
| 49 | 13101740 | 1  | 压脚杆滑槽          | PRESSER FOOT BAR CHUTE                 |      |
| 50 | 13101750 | 1  | 压脚前后送料导向板      | FEEDING GUIDE PLATE PRESSER FOOT       |      |
| 51 | 13101760 | 1  | 压脚杆套           | PRESSER FOOT BAR SET                   |      |
| 52 | 13101780 | 1  | 压脚杆升降支架        | PRESSER FOOT BAR LIFTING BRACKET       |      |
| 53 | 13101790 | 1  | 压脚轴            | PRESSER FOOT SHAFT                     |      |
| 54 | 13101800 | 1  | 滑轮支架           | PULLEY BRACKET                         |      |
| 55 | 13101810 | 1  | 滑轮轴            | PULLEY SHAFT                           |      |
| 56 | 00107091 | 2  | 滚针轴承           | NEEDLE BEARING                         |      |
| 57 | 13104390 | 1  | 压脚杆轴套          | PRESSER FOOT SHAFT SLEEVE              |      |
| 58 | 13101830 | 1  | 压脚支架           | PRESSER FOOT HOLDER                    |      |
| 59 | 13101840 | 1  | 曲柄轴            | CRANKSHAFT                             |      |

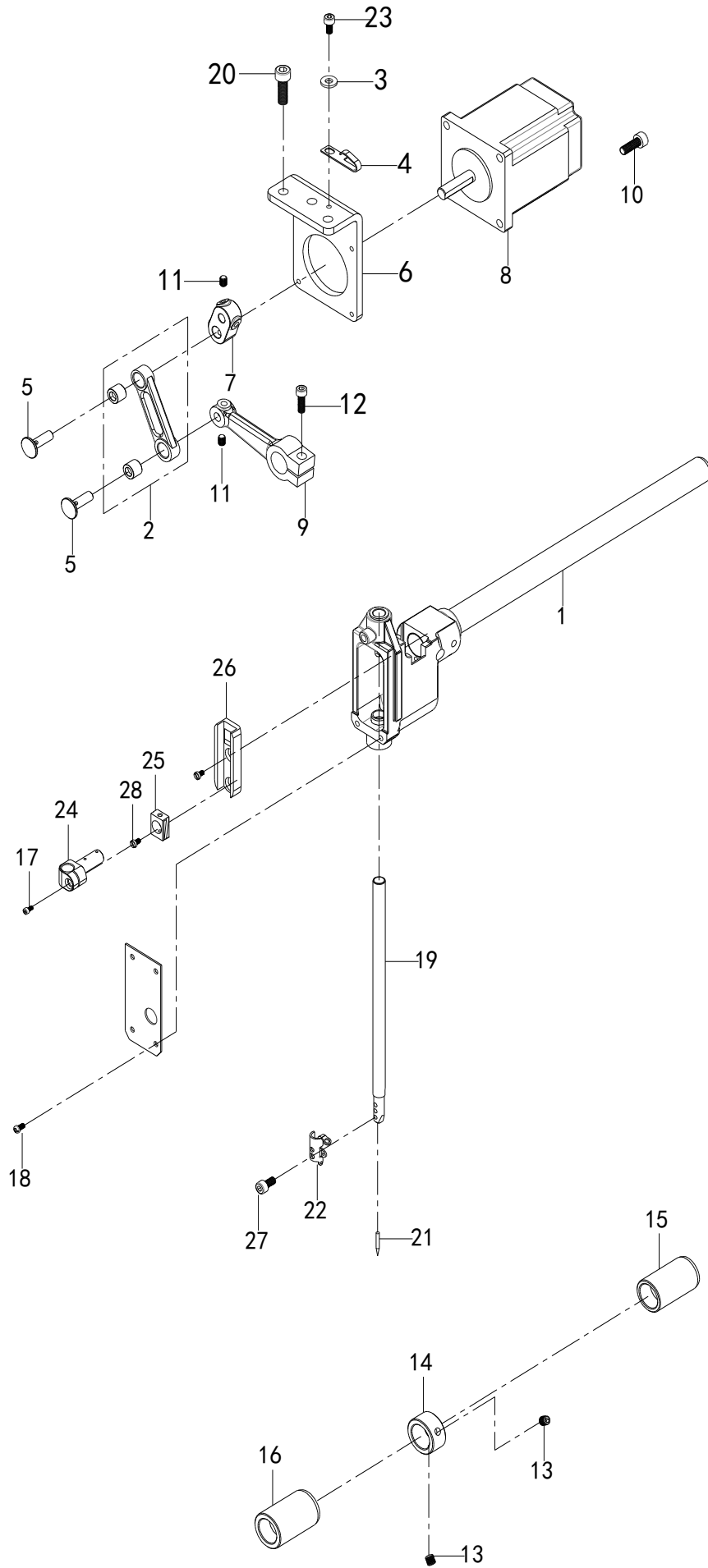
5. 压脚、送料装置/Presser foot, feeding device



## 5. 压脚、送料装置/Presser foot, feeding device

| NO | 零部件号     | 数量 | 零部件名称          | NAME OF PARTS                          | 老助记码 |
|----|----------|----|----------------|--|------|
| 60 | 13101910 | 1  | 传感器定位板         | SENSOR POSITIONING BOARD               |      |
| 61 | 01204085 | 1  | 内六角螺栓M4X8      | HEXAGON SOCKET BOLT M4X8               |      |
| 62 | 01204165 | 1  | 内六角螺栓M4X16     | HEXAGON SOCKET BOLT M4X16              |      |
| 63 | 02000044 | 2  | 一字螺钉M5X8       | SLOTTED SCREW M5X8                     |      |
| 64 | 01205101 | 2  | 内六角螺栓M5X10     | HEXAGON SOCKET BOLT M5X10              |      |
| 65 | 01205121 | 4  | 内六角螺栓M5X12     | HEXAGON SOCKET BOLT M5X12              |      |
| 66 | 00805061 | 2  | 内紧定螺钉M5X6      | SET SCREW M5X6                         |      |
| 67 | 13101870 | 1  | 剪线板            | TRIMMING BOARD                         |      |
| 68 | 13104090 | 1  | 压脚升降摆动板螺钉外六角黑色 | PRESSER FOOT LIFTING SWING PLATE SCREW |      |
| 69 | 00806060 | 1  | 内紧定螺钉M6X6      | SET SCREW M6X6                         |      |
| 70 | 13101600 | 1  | 齿轮轴            | GEAR SHAFT                             |      |
| 71 | 01204121 | 2  | 内六角螺栓M4X12     | HEXAGON SOCKET BOLT M4X12              |      |
| 72 | 01204085 | 2  | 内六角螺栓M4X8      | HEXAGON SOCKET BOLT M4X8               |      |

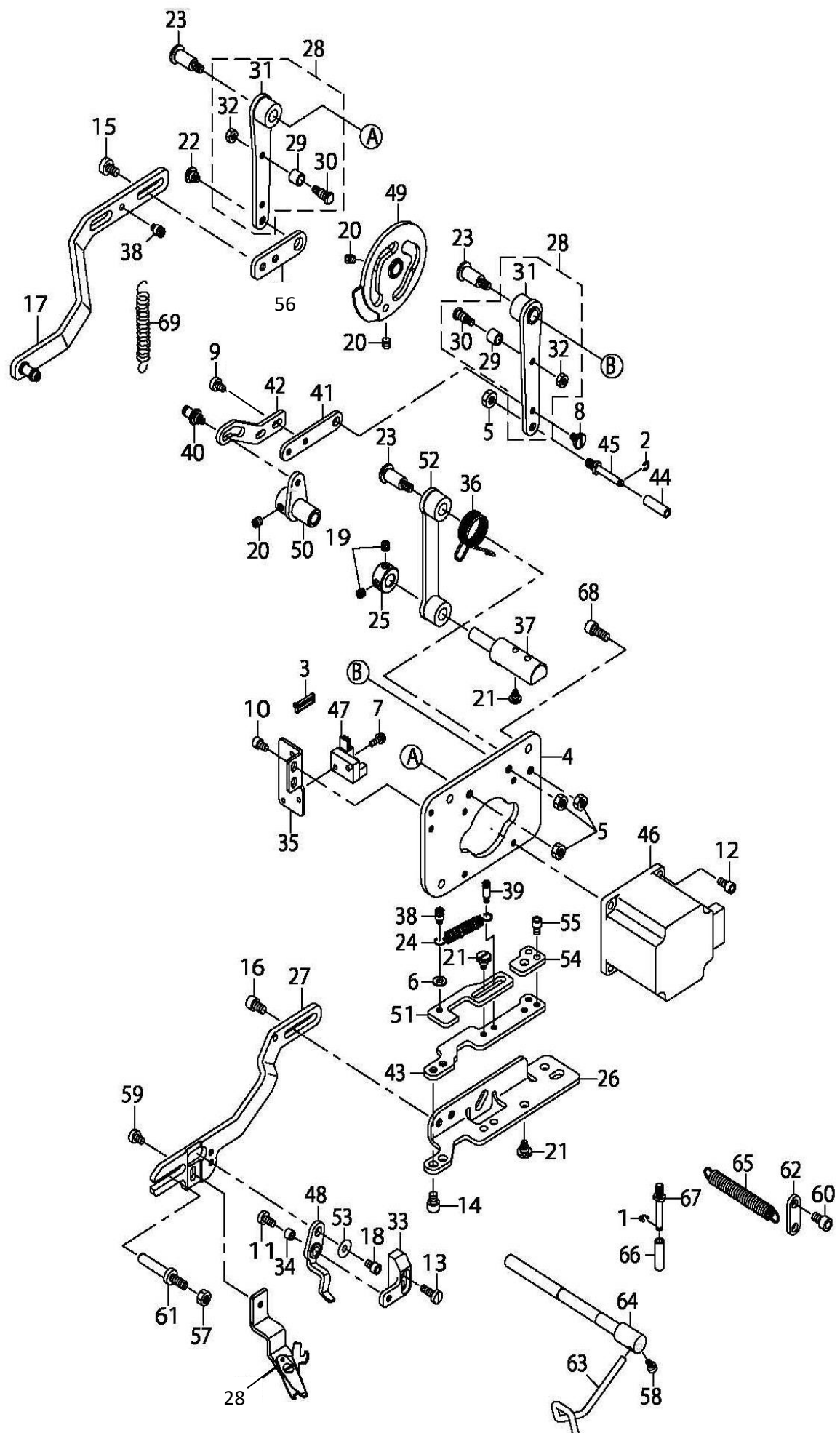
6. 针杆摇动装置/Needle bar rocking device



## 6. 针杆摇动装置/Needle bar rocking device

| NO | 零部件号     | 数量 | 零部件名称           | NAME OF PARTS                          | 老助记码 |
|----|----------|----|-----------------|--|------|
| 1  | 10666080 | 1  | 针杆制动架           | 1790 CRANK                             |      |
| 2  | 13101920 | 1  | 摆轴连杆组件          | PENDULUM SHAFT CONNECTING ROD ASSEMBLY |      |
| 3  | 00504020 | 1  | 垫圈4             | WASHER 4                               |      |
| 4  | 13100140 | 1  | 油管固定架           | TUBING HOLDER                          |      |
| 5  | 13101930 | 2  | 连接轴A            | CONNECTING SHAFT A                     |      |
| 6  | 13101970 | 1  | 电机安装板           | MOTOR MOUNTING PLATE                   |      |
| 7  | 13101990 | 1  | 电机连接曲柄          | MOTOR CONNECTION CRANK                 |      |
| 8  | 10736630 | 1  | 针摆电机            | NEEDLE PENDULUM MOTOR                  |      |
| 9  | 13101950 | 1  | 针杆摆动曲柄          | NEEDLE BAR SWING CRANK                 |      |
| 10 | 01204121 | 4  | 内六角螺栓(黑色) M4X12 | HEXAGON SOCKET HEAD BOLT (BLACK) M4X12 |      |
| 11 | 00805050 | 6  | 内紧定螺钉M5X5       | SET SCREW M5X5                         |      |
| 12 | 01206185 | 1  | 内六角螺栓 M6X18     | HEXAGON SOCKET HEAD BOLT M6X18         |      |
| 13 | 00805050 | 2  | 内紧定螺钉M5X5       | SET SCREW M5X5                         |      |
| 14 | 13102170 | 1  | 摆轴挡圈            | PENDULUM SHAFT RETAINING RING          |      |
| 15 | 13102120 | 1  | 摆轴前套            | PENDULUM SHAFT FRONT SLEEVE            |      |
| 16 | 13102130 | 1  | 摆轴后套            | SWING SHAFT BACK SLEEVE                |      |
| 17 | 01204085 | 1  | 内六角螺栓M4X8       | HEXAGON SOCKET BOLT M4X8               |      |
| 18 | 02000037 | 4  | 十字盘头螺钉M4X10     | PHILLIPS PAN HEAD SCREW M4X10          |      |
| 19 | 10598130 | 1  | 针杆              | NEEDLE BAR                             |      |
| 20 | 01206120 | 3  | 内六角螺栓M6X12      | HEXAGON SOCKET BOLT M6X12              |      |
| 21 | 10780500 | 1  | 机针DPX5 (11#)    | MACHINE NEEDLE DPX5 11#                |      |
| 22 | 13102160 | 1  | 面线导线器           | UPPER THREAD GUIDE                     |      |
| 23 | 01204060 | 1  | 内六角螺栓M4X6       | HEXAGON SOCKET BOLT M4X6               |      |
| 24 | 10666070 | 1  | 针杆抱箍            | NEEDLE BAR HOOP                        |      |
| 25 | 10666060 | 1  | 针杆滑块            | NEEDLE BAR SLIDER                      |      |
| 26 | 10666050 | 1  | 滑块导向            | SLIDER GUIDE                           |      |
| 27 | 02000046 | 1  | 一字螺钉M3X5        | SLOTTED SCREW M3X5                     |      |
| 28 | 02000044 | 2  | 一字平头螺钉M5X8      | SLOTTED FLAT HEAD SCREW M5X8           |      |

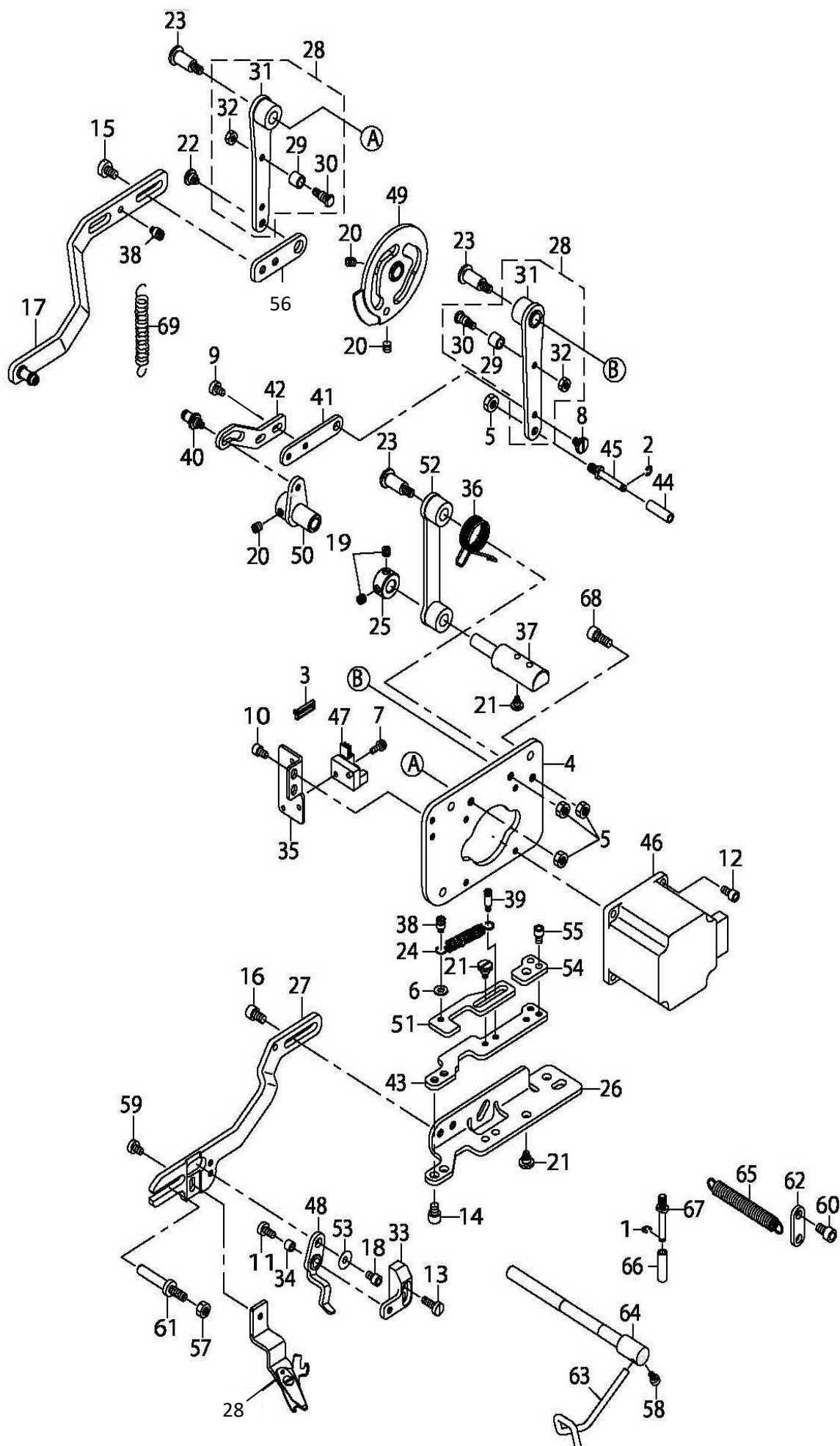
7. 上剪线装置/Upper trimming device



## 7. 上剪线装置/Upper trimming device

| NO | 零部件号     | 数量 | 零部件名称         | NAME OF PARTS                            | 老助记码 |
|----|----------|----|---------------|--|------|
| 1  | 00201030 | 1  | 挡圈 E3         | RETAINING RING E3                        |      |
| 2  | 00201030 | 1  | 挡圈 E3         | RETAINING RING E3                        |      |
| 3  | 16300810 | 1  | 扎带3X100       | CABLE TIE 3X100                          |      |
| 4  | 13102260 | 1  | 剪线电机安装板       | THREAD TRIMMING MOTOR MOUNTING PLATE     |      |
| 5  | 00405380 | 4  | 螺母M5          | NUT M5                                   |      |
| 6  | 00504020 | 1  | 垫圈4           | WASHER 4                                 |      |
| 7  | 01503105 | 1  | 十字螺钉M3X10     | PHILLIPS SCREW M3X10                     |      |
| 8  | 13104180 | 1  | 一字固定板连接螺钉     | SLOTTED FIXING PLATE CONNECTING SCREW    |      |
| 9  | 01204060 | 2  | 内六角螺栓M4X6     | HEXAGON SOCKET BOLT M4X6                 |      |
| 10 | 01204060 | 2  | 内六角螺栓M4X6     | HEXAGON SOCKET BOLT M4X6                 |      |
| 11 | 01904085 | 1  | 一字平头螺钉M4X8    | SLOTTED FLAT HEAD SCREW M4X8             |      |
| 12 | 02000018 | 4  | 内六角螺栓M4X8     | HEXAGON SOCKET BOLT M4X8                 |      |
| 13 | 02000048 | 2  | 一字螺钉M4X12     | SLOTTED SCREW M4X12                      |      |
| 14 | 01205060 | 2  | 内六角螺栓M5X6     | HEXAGON SOCKET BOLT M5X6                 |      |
| 15 | 02000044 | 2  | 一字螺钉M5X8      | SLOTTED SCREW M5X8                       |      |
| 16 | 01205080 | 2  | 内六角螺栓M5X8     | HEXAGON SOCKET BOLT M5X8                 |      |
| 17 | 13102190 | 1  | 开剪连杆组件        | CUTTING CONNECTING ROD ASSEMBLY          |      |
| 18 | 02000018 | 1  | 内六角螺栓M4X8     | HEXAGON SOCKET BOLT M4X8                 |      |
| 19 | 00805041 | 2  | 内紧定螺钉(黑色)M5X4 | SET SCREW (BLACK) M5X4                   |      |
| 20 | 00805041 | 4  | 内紧定螺钉M5X4     | SET SCREW M5X4                           |      |
| 21 | 13104130 | 4  | 一字剪线导向调节板螺钉黑色 | GUIDE ADJUSTMENT PLATE SCREW             |      |
| 22 | 13104140 | 1  | 一字剪线连接板螺钉黑色   | CONNECTION PLATE SCREW                   |      |
| 23 | 13104150 | 3  | 轴位螺钉黑色        | AXIAL SCREW BLACK                        |      |
| 24 | 13102200 | 1  | 导向板弹簧         | GUIDE PLATE SPRING                       |      |
| 25 | 13102210 | 1  | 剪线支架连接销挡圈     | CONNECTING PIN RETAINING RING            |      |
| 26 | 13102230 | 1  | 剪线支架          | TRIMMING BRACKET                         |      |
| 27 | 13102240 | 1  | 剪刀架           | SCISSORS RACK                            |      |
| 28 | 13102580 | 1  | 上剪线刀组件        | UPPER THREAD TRIMMER ASSEMBLY            |      |
| 29 | 13102270 | 2  | 滚柱            | ROLLER                                   |      |
| 30 | 13104160 | 2  | 滚子连接螺钉        | ROLLER CONNECTION SCREW                  |      |
| 31 | 13102490 | 2  | 缓线钩导向曲柄组件     | SLOW WIRE HOOK GUIDE CRANK ASSEMBLY      |      |
| 32 | 00404031 | 2  | 螺母黑色M4        | NUT BLACK M4                             |      |
| 33 | 13102310 | 1  | 开剪驱动板安装座      | DRIVE PLATE MOUNTING SEAT                |      |
| 34 | 13102320 | 1  | 连接滚子          | CONNECTING ROLLER                        |      |
| 35 | 13102330 | 1  | 传感器安装板        | SENSOR MOUNTING PLATE                    |      |
| 36 | 13102340 | 1  | 扭簧            | TORSION SPRING                           |      |
| 37 | 13102350 | 1  | 剪线支架连接轴       | THREAD TRIMMING BRACKET CONNECTING SHAFT |      |
| 38 | 13104170 | 2  | 一字平头轴位螺钉      | SLOTTED FLAT HEAD SHAFT SCREW            |      |
| 39 | 13104280 | 1  | 缓线钩定位螺钉       | THREAD HOOK POSITIONING SCREW            |      |
| 40 | 13102360 | 1  | 缓线连接销         | SLOW LINE CONNECTING PIN                 |      |
| 41 | 13102380 | 1  | 缓线钩连接板        | SLOW WIRE HOOK CONNECTING PLATE          |      |
| 42 | 13102390 | 1  | 缓线钩驱动板        | SLOW WIRE HOOK DRIVE PLATE               |      |
| 43 | 13102400 | 1  | 剪刀进退固定板       | SCISSORS ADVANCE AND RETREAT FIXED PLATE |      |
| 44 | 13102410 | 1  | 滚柱            | ROLLER                                   |      |
| 45 | 13102420 | 1  | 滚轴            | ROLLER                                   |      |
| 46 | 10736740 | 1  | 剪线电机          | THREAD TRIMMING MOTOR                    |      |
| 47 | 10772590 | 1  | 上剪感应器         | UPPER SHEAR SENSOR                       |      |
| 48 | 13102450 | 1  | 开剪驱动板组件       | CUTTING DRIVE PLATE ASSEMBLY             |      |
| 49 | 13102470 | 1  | 剪线凸轮组件        | THREAD TRIMMING CAM ASSEMBLY             |      |
| 50 | 13102480 | 1  | 缓线钩连接曲柄组件     | SLOW WIRE HOOK CONNECTING CRANK ASSEMBLY |      |
| 51 | 13102280 | 1  | 剪线进退导向板       | GUIDE PLATE                              |      |
| 52 | 13102500 | 1  | 剪线连接曲柄组件      | THREAD TRIMMING CONNECTING CRANK         |      |
| 53 | 00504101 | 1  | 垫圈黑色4.3×12×1  | WASHER BLACK 4.3×12×1                    |      |
| 54 | 13102510 | 1  | 限位板           | LIMIT PLATE                              |      |
| 55 | 01204060 | 2  | 内六角螺栓M4X6     | HEXAGON SOCKET BOLT M4X6                 |      |
| 56 | 13102300 | 1  | 剪线连接板         | TRIMMING CONNECTION BOARD                |      |
| 57 | 00405380 | 1  | 螺母M5          | NUT M5                                   |      |
| 58 | 01204060 | 1  | 内六角螺栓M4X6     | HEXAGON SOCKET BOLT M4X6                 |      |
| 59 | 02000047 | 1  | 一字螺钉M4X6      | SLOTTED SCREW M4X6                       |      |
| 60 | 01205080 | 1  | 内六角螺栓M5X8     | HEXAGON SOCKET BOLT M5X8                 |      |

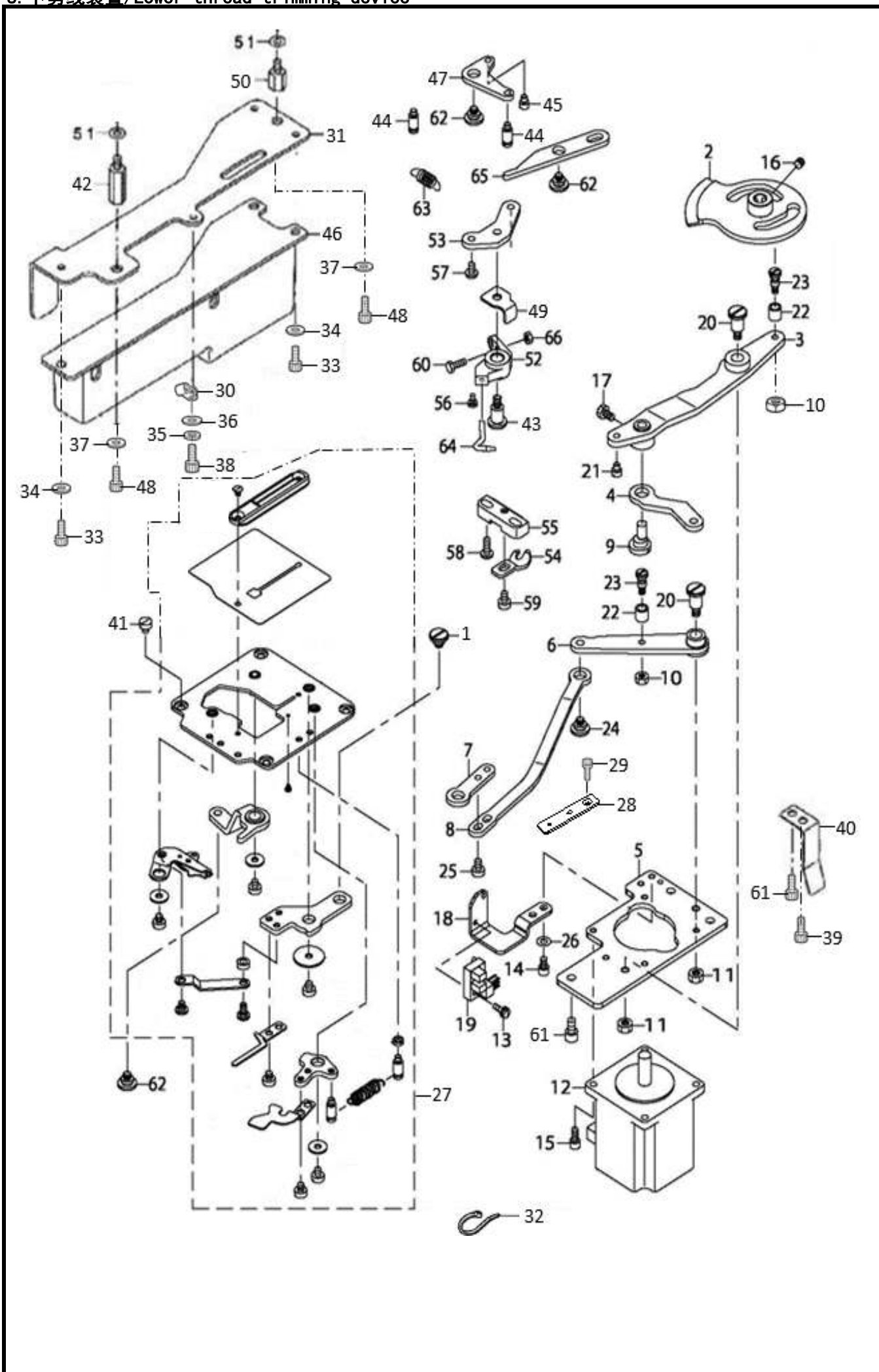
7. 上剪线装置/Upper trimming device



## 7. 上剪线装置/Upper trimming device

| NO | 零部件号     | 数量 | 零部件名称      | NAME OF PARTS                | 老助记码 |
|----|----------|----|------------|------------------------------|------|
| 61 | 13102520 | 1  | 压脚导向轴      | PRESSER FOOT GUIDE SHAFT     |      |
| 62 | 13102530 | 1  | 连接板        | CONNECTING PLATE             |      |
| 63 | 13102540 | 1  | 缓线钩        | SLOW WIRE HOOK               |      |
| 64 | 13102550 | 1  | 缓线钩轴       | SLOW THREAD HOOK SHAFT       |      |
| 65 | 13102560 | 1  | 弹簧         | SPRING                       |      |
| 66 | 13102410 | 1  | 滚柱         | ROLLER                       |      |
| 67 | 13102420 | 1  | 滚轴         | ROLLER                       |      |
| 68 | 01205121 | 3  | 内六角螺栓M5X12 | HEXAGON SOCKET BOLT M5X12    |      |
| 69 | 13102570 | 1  | 缓线钩复位弹簧    | SLOW WIRE HOOK RETURN SPRING |      |

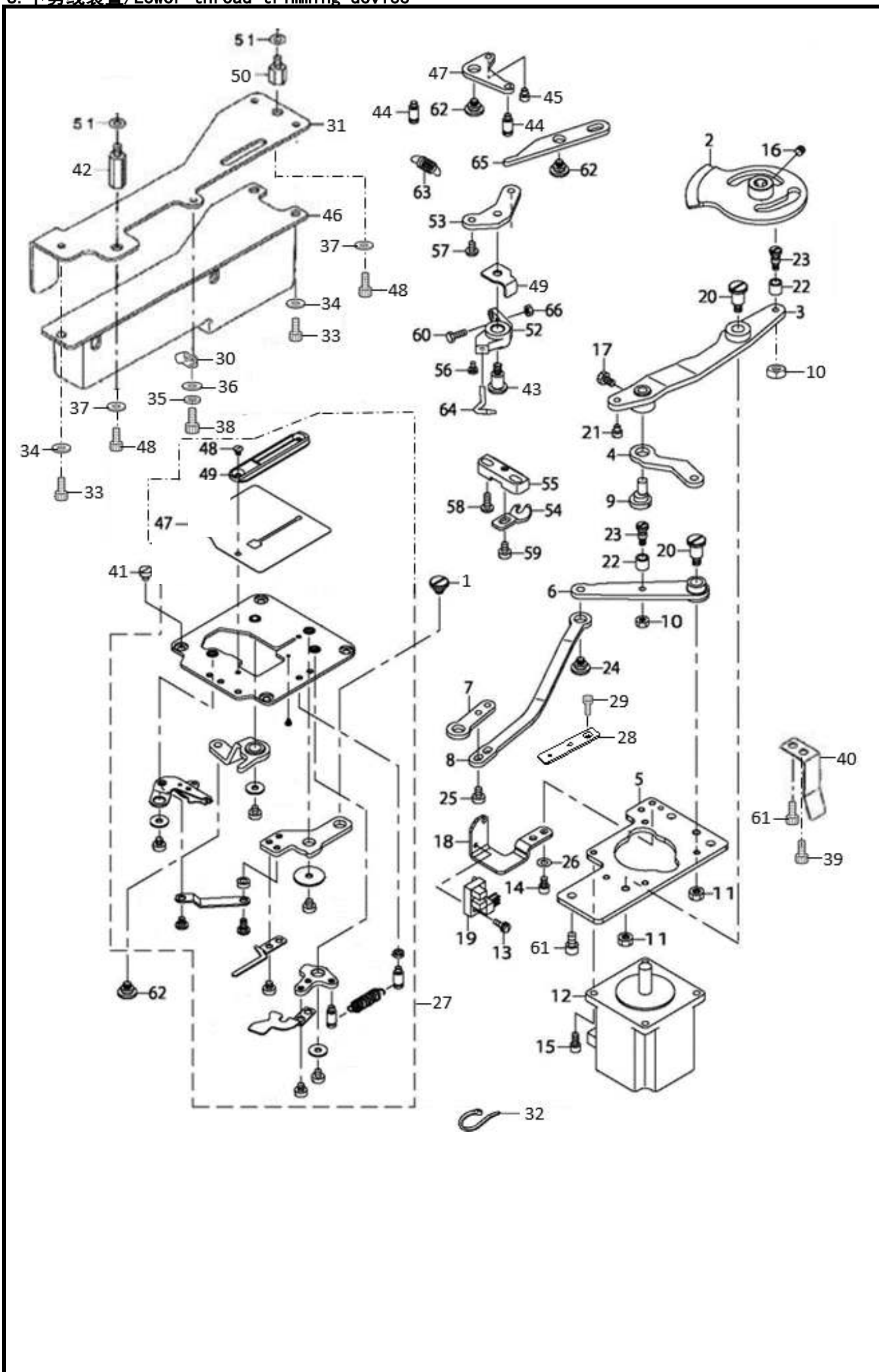
8. 下剪线装置/Lower thread trimming device



## 8. 下剪线装置/Lower thread trimming device

| NO | 零部件号     | 数量 | 零部件名称            | NAME OF PARTS                          | 老助记码 |
|----|----------|----|------------------|--|------|
| 1  | 13104080 | 1  | 压脚升降摆动板螺钉外六角黑色   | PRESSER FOOT LIFTING SWING PLATE SCREW |      |
| 2  | 13102590 | 1  | 剪底线线凸轮组件         | BOBBIN THREAD TRIMMING CAM ASSEMBLY    |      |
| 3  | 13102600 | 1  | 剪底线连杆组件          | BOTTOM THREAD CONNECTING ROD ASSEMBLY  |      |
| 4  | 13102610 | 1  | 剪底线连杆            | CUT THE BOTTOM LINE CONNECTING ROD     |      |
| 5  | 13102620 | 1  | 底线电机安装板          | BOTTOM THREAD MOTOR MOUNTING PLATE     |      |
| 6  | 13102630 | 1  | 剪底结导向曲柄组件        | SHEAR BOTTOM KNOT GUIDE CRANK ASSEMBLY |      |
| 7  | 13102640 | 1  | 剪刀调节板            | SCISSORS ADJUSTMENT PLATE              |      |
| 8  | 13102650 | 1  | 剪底线导向曲柄连杆        | GUIDE CRANK CONNECTING ROD             |      |
| 9  | 13102660 | 1  | 偏心轴销             | ECCENTRIC PIN                          |      |
| 10 | 00404031 | 2  | 螺母黑色M4           | NUT BLACK M4                           |      |
| 11 | 00405380 | 2  | 螺母M5             | NUT M5                                 |      |
| 12 | 10736750 | 1  | 下剪线电机            | BOTTOM TRIMMING MOTOR                  |      |
| 13 | 01503100 | 1  | 十字盘头带垫片螺钉M3X10DB | CROSS PAN HEAD SCREW WITH WASHER M3X10 |      |
| 14 | 01204060 | 2  | 内六角螺栓M4X6        | HEXAGON SOCKET BOLT M4X6               |      |
| 15 | 02000018 | 4  | 内六角螺栓M4X8        | HEXAGON SOCKET BOLT M4X8               |      |
| 16 | 00805041 | 2  | 内紧定螺钉M5X4        | SET SCREW M5X4                         |      |
| 17 | 01304071 | 1  | 外六角螺栓M4X7        | HEXAGON BOLT M4X7                      |      |
| 18 | 13102690 | 1  | 传感器安装板           | SENSOR MOUNTING PLATE                  |      |
| 19 | 10772600 | 1  | 下剪感应器            | DOWN CUT SENSOR                        |      |
| 20 | 13104190 | 2  | 轴位螺钉黑色           | AXIAL SCREW BLACK                      |      |
| 21 | 13102700 | 1  | 止动销              | STOP PIN                               |      |
| 22 | 13102270 | 2  | 滚柱               | ROLLER                                 |      |
| 23 | 13104160 | 2  | 滚子连接螺钉           | ROLLER CONNECTION SCREW                |      |
| 24 | 13104200 | 1  | 轴位螺钉黑色           | AXIAL SCREW BLACK                      |      |
| 25 | 02000047 | 2  | 一字螺钉M4X6         | SLOTTED SCREW M4X6                     |      |
| 26 | 00504020 | 2  | 垫圈4              | WASHER 4                               |      |
| 27 | 13102730 | 1  | 针板组件(1790K)      | NEEDLE PLATE ASSEMBLY (1790K)          |      |
| 27 | 13102740 | 1  | 针板组件(1790S)      | NEEDLE PLATE ASSEMBLY (1790S)          |      |
| 28 | 13102870 | 1  | 转接板              | ADAPTER BOARD                          |      |
| 29 | 02000002 | 1  | 十字沉头螺钉M3X5       | CROSS COUNTERSUNK HEAD SCREW M3X5      |      |
| 30 | 10103120 | 1  | 线夹(3/16)         | WIRE CLAMP (3/16)                      |      |
| 31 | 13102820 | 1  | 油盒安装板            | OIL TANK MOUNTING PLATE                |      |
| 32 | 16300810 | 1  | 扎带3X100(黑色)      | CABLE TIE 3X100 (BLACK)                |      |
| 33 | 01204060 | 3  | 内六角螺栓(镀镍)M4X6    | HEXAGON SOCKET HEAD BOLT M4X6          |      |
| 34 | 00504030 | 3  | 平垫圈S4            | FLAT WASHER S4                         |      |
| 35 | 00604000 | 1  | 弹簧垫圈2-4          | SPRING WASHER 2-4                      |      |
| 36 | 00504010 | 1  | 平垫圈M4            | FLAT WASHER M4                         |      |
| 37 | 00504030 | 2  | 平垫圈S4            | FLAT WASHER S4                         |      |
| 38 | 01204085 | 1  | 内六角螺栓M4X8        | HEXAGON SOCKET BOLT M4X8               |      |
| 39 | 01403030 | 1  | 一十字螺钉M3X3        | ONE PHILLIPS SCREW M3X3                |      |
| 40 | 13102800 | 1  | 安全开关板            | SAFETY SWITCH BOARD                    |      |
| 41 | 02000050 | 4  | 一字螺钉(黑色)M4X4     | SLOTTED SCREW (BLACK) M4X4             |      |
| 42 | 13104210 | 1  | 加长螺钉外六角          | EXTENSION SCREW OUTER HEXAGON          |      |
| 43 | 13104190 | 1  | 轴位螺钉黑色           | AXIAL SCREW BLACK                      |      |
| 44 | 13104280 | 2  | 缓线钩定位螺钉          | THREAD HOOK POSITIONING SCREW          |      |
| 45 | 13102700 | 1  | 止动销              | STOP PIN                               |      |
| 46 | 13102810 | 1  | 油盒组件             | OIL BOX ASSEMBLY                       |      |
| 47 | 13102860 | 1  | 下档线传动板           | DOWNSHIFT TRANSMISSION BOARD           |      |
| 48 | 01204085 | 1  | 内六角螺栓M4X8        | HEXAGON SOCKET BOLT M4X8               |      |
| 49 | 13102830 | 1  | 止动板              | STOP PLATE                             |      |
| 50 | 13104220 | 1  | 加长螺钉             | EXTENSION SCREW                        |      |
| 51 | 00504030 | 2  | 平垫圈S4            | FLAT WASHER S4                         |      |
| 52 | 13102750 | 1  | 下档线器座            | DOWNSHIFTER SEAT                       |      |
| 53 | 13102760 | 1  | 下挡线器连接板          | LOWER WIRE STOPPER CONNECTING PLATE    |      |
| 54 | 13102770 | 1  | 旋梭定位钩            | ROTARY HOOK POSITIONING HOOK           |      |
| 55 | 13102780 | 1  | 定位钩安装板           | POSITIONING HOOK MOUNTING PLATE        |      |
| 56 | 01403040 | 1  | 一十字螺钉M3X4        | ONE PHILLIPS SCREW M3X4                |      |
| 57 | 01204060 | 1  | 内六角螺栓M4X6        | HEXAGON SOCKET BOLT M4X6               |      |
| 58 | 02000049 | 2  | 一字螺钉M4X10        | SLOTTED SCREW M4X10                    |      |
| 59 | 02000047 | 1  | 一字螺钉M4X6         | SLOTTED SCREW M4X6                     |      |

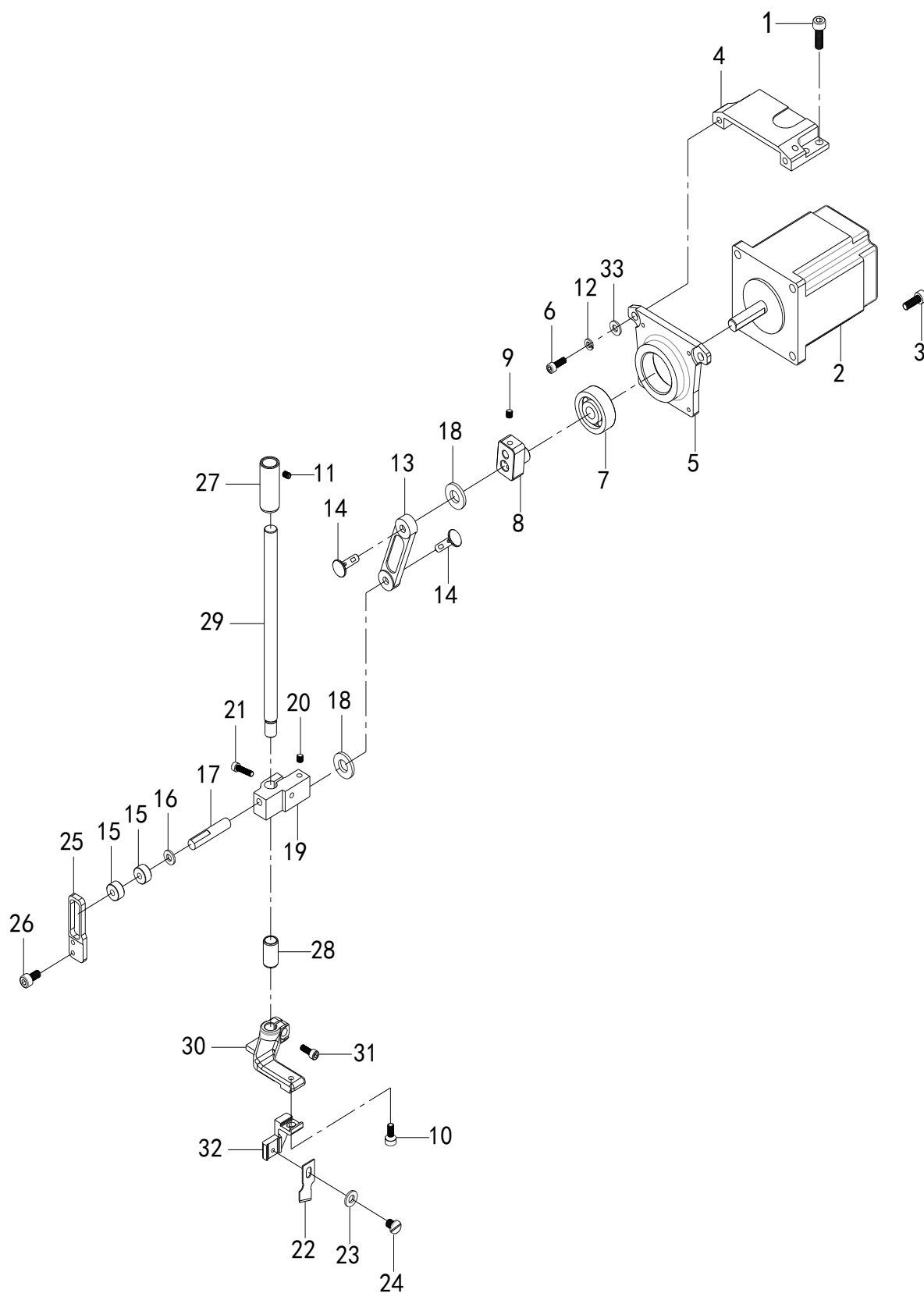
8. 下剪线装置/Lower thread trimming device



## 8. 下剪线装置/Lower thread trimming device

| NO | 零部件号     | 数量 | 零部件名称      | NAME OF PARTS                | 老助记码 |
|----|----------|----|------------|------------------------------|------|
| 60 | 02000048 | 1  | 一字螺钉M4X12  | SLOTTED SCREW M4X12          |      |
| 61 | 01205120 | 3  | 内六角螺栓M5X12 | HEXAGON SOCKET BOLT M5X12    |      |
| 62 | 13104200 | 3  | 轴位螺钉黑色     | AXIAL SCREW BLACK            |      |
| 63 | 13102790 | 1  | 弹簧         | SPRING                       |      |
| 64 | 13102840 | 1  | 下挡线器       | DOWNSHIFTER                  |      |
| 65 | 13102850 | 1  | 下档线传动杆     | DOWNSHIFT TRANSMISSION LEVER |      |
| 66 | 00404031 | 1  | 螺母黑色M4     | NUT BLACK M4                 |      |

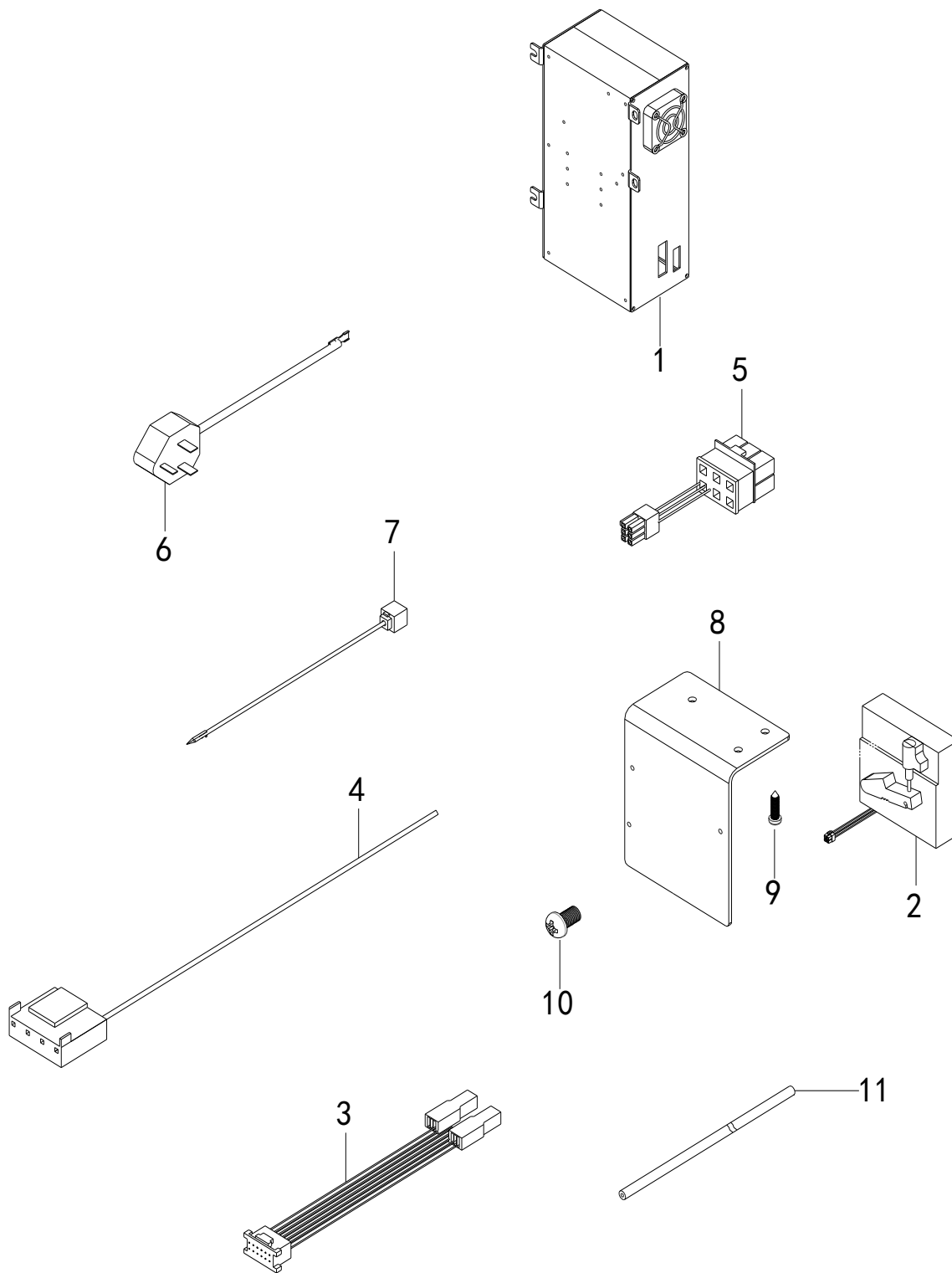
9. 切刀装置/Cutter device



## 9. 切刀装置/Cutter device

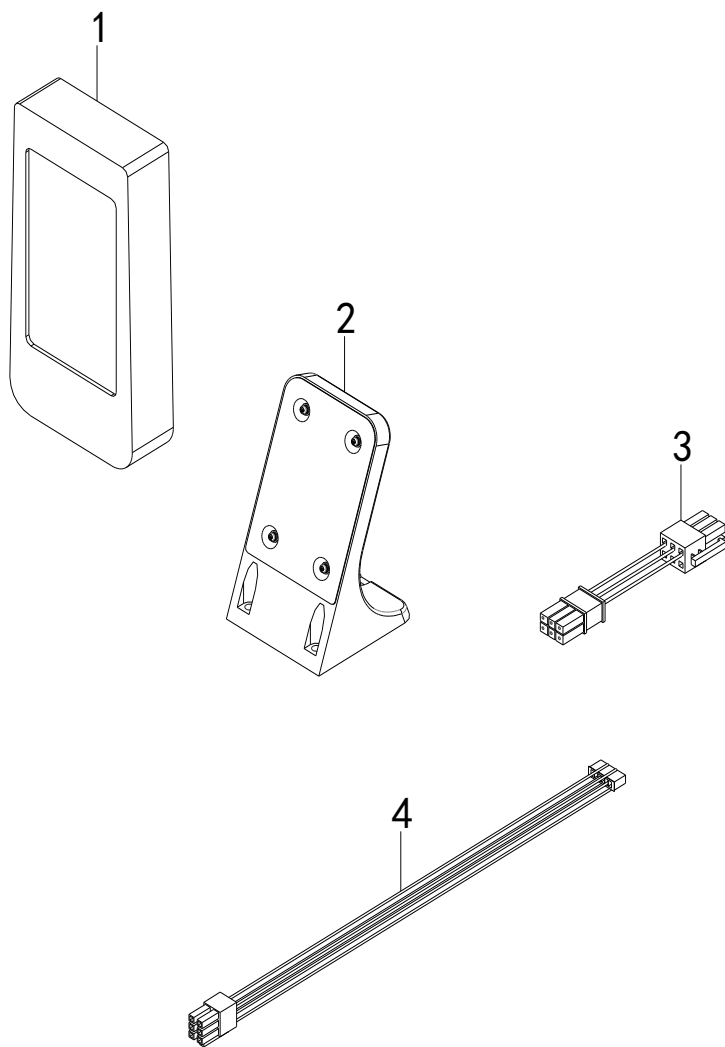
| NO | 零部件号     | 数量 | 零部件名称       | NAME OF PARTS                  | 老助记码 |
|----|----------|----|-------------|--------------------------------|------|
| 1  | 01205161 | 4  | 内六角螺栓M5X16  | HEXAGON SOCKET BOLT M5X16      |      |
| 2  | 10736720 | 1  | 切刀电机        | CUTTER MOTOR                   |      |
| 3  | 01204121 | 4  | 内六角螺栓M4X12  | HEXAGON SOCKET BOLT M4X12      |      |
| 4  | 13103030 | 1  | 电机安装板       | MOTOR MOUNTING PLATE           |      |
| 5  | 13103020 | 1  | 电机安装座       | MOTOR MOUNT                    |      |
| 6  | 01206140 | 2  | 内六角螺栓 M6X14 | HEXAGON SOCKET HEAD BOLT M6X14 |      |
| 7  | 00162010 | 1  | 轴承6201ZZ    | BEARING 6201ZZ                 |      |
| 8  | 13102900 | 1  | 刀杆座         | TOOL HOLDER                    |      |
| 9  | 00805050 | 3  | 内紧定螺钉M5X5   | SET SCREW M5X5                 |      |
| 10 | 01205121 | 1  | 内六角螺栓M5X12  | HEXAGON SOCKET BOLT M5X12      |      |
| 11 | 00805081 | 1  | 内紧定螺钉M5X8   | SET SCREW M5X8                 |      |
| 12 | 00606000 | 2  | 弹簧垫圈        | SPRING WASHER                  |      |
| 13 | 13103120 | 1  | 切刀驱动连杆      | CUTTER DRIVE CONNECTING ROD    |      |
| 14 | 13101930 | 2  | 连接轴A        | CONNECTING SHAFT A             |      |
| 15 | 13103230 | 2  | 轴承 604ZZ    | BEARING 604ZZ                  |      |
| 16 | 00504030 | 1  | 平垫圈S4       | FLAT WASHER S4                 |      |
| 17 | 13103160 | 1  | 支撑轴         | SUPPORT SHAFT                  |      |
| 18 | 00506050 | 2  | 平垫圈M6       | FLAT WASHER M6                 |      |
| 19 | 13103090 | 1  | 切刀杆支架       | CUTTER BAR BRACKET             |      |
| 20 | 00805050 | 1  | 内紧定螺钉M5X5   | SET SCREW M5X5                 |      |
| 21 | 01205160 | 1  | 内六角螺栓M5X16  | HEXAGON SOCKET BOLT M5X16      |      |
| 22 | 13103050 | 1  | 刀片1/2 "     | BLADE 1/2"                     |      |
| 23 | 00504020 | 1  | 垫圈4         | WASHER 4                       |      |
| 24 | 02000047 | 1  | 一字螺钉M4X6    | SLOTTED SCREW M4X6             |      |
| 25 | 13103250 | 1  | 支撑导向板       | SUPPORT GUIDE PLATE            |      |
| 26 | 01204121 | 2  | 内六角螺栓M4X12  | HEXAGON SOCKET BOLT M4X12      |      |
| 27 | 13103100 | 1  | 切刀杆上衬套      | UPPER BUSH OF CUTTER BAR       |      |
| 28 | 13103170 | 1  | 切刀杆下衬套      | CUTTER BAR LOWER BUSH          |      |
| 29 | 13103060 | 1  | 切刀轴         | CUTTER SHAFT                   |      |
| 30 | 13103070 | 1  | 切刀杆座        | CUTTER BAR SEAT                |      |
| 31 | 01206121 | 1  | 内六角螺栓M6X12  | HEXAGON SOCKET BOLT M6X12      |      |
| 32 | 13103180 | 1  | 切刀安装座       | CUTTER MOUNT                   |      |
| 33 | 00506080 | 2  | 平垫圈M6       | FLAT WASHER M6                 |      |

10. 电控箱装置/Electric control box device



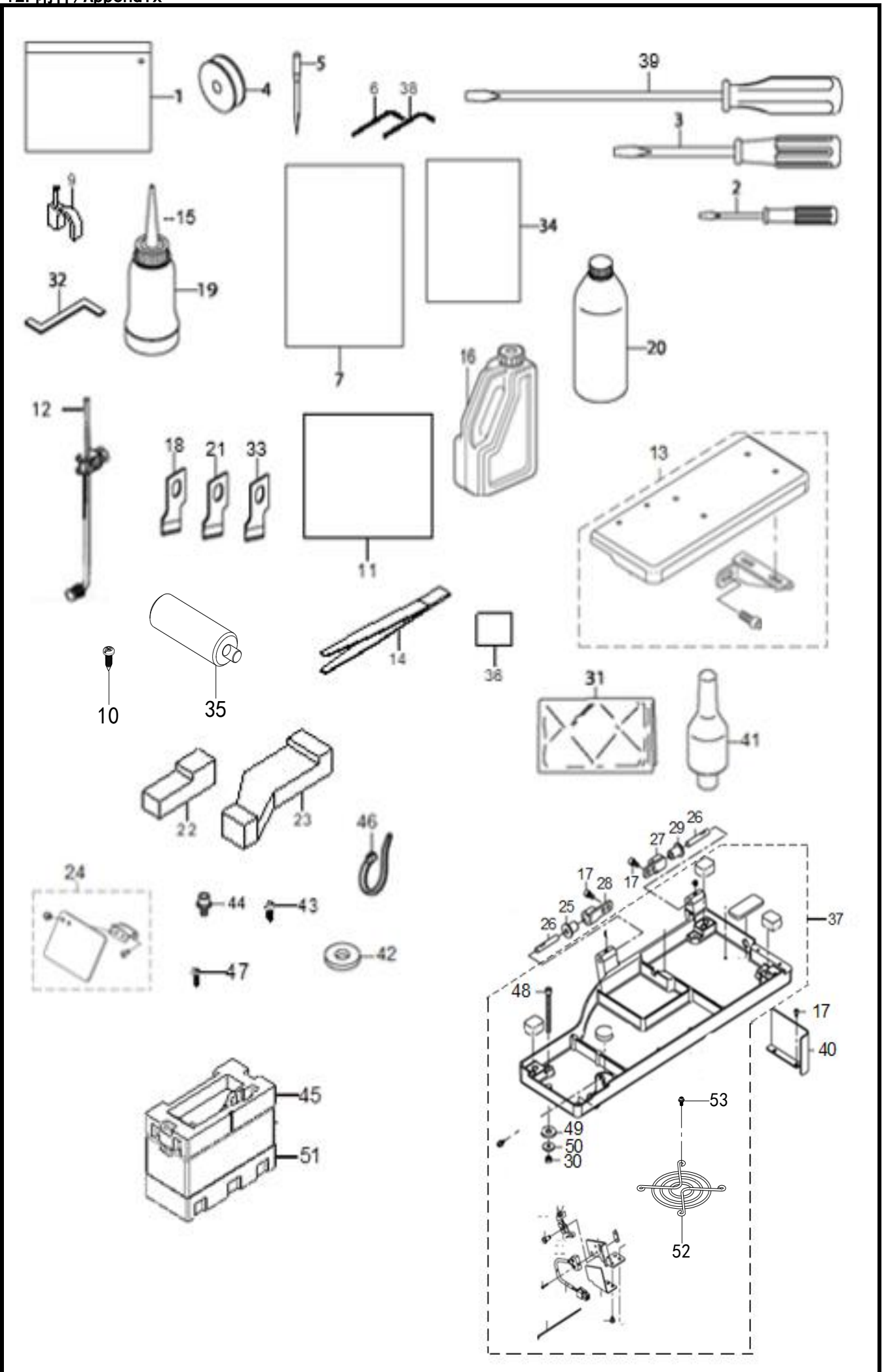
## 10. 电控箱装置/Electric control box device

| NO | 零部件号     | 数量 | 零部件名称      | NAME OF PARTS                | 老助记码 |
|----|----------|----|------------|------------------------------|------|
| 1  | 10003170 | 1  | 1790DS电控箱  | 1790DS ELECTRIC CONTROL BOX  |      |
| 2  | 10744610 | 1  | 脚踏板连接线     | FOOT PEDAL CABLE             |      |
| 3  | 10751970 | 1  | 感应器转接线     | SENSOR ADAPTER CABLE         |      |
| 4  | 10750780 | 1  | 电源转接线      | POWER ADAPTER                |      |
| 5  | 10745890 | 1  | 脚踏板转接线     | PEDAL ADAPTER CABLE          |      |
| 6  | 10752130 | 1  | 电源线        | POWER CABLE                  |      |
| 7  | 10752150 | 1  | 安全开关转接线    | SAFETY SWITCH ADAPTER CABLE  |      |
| 8  | 10103380 | 1  | 踏板安装板      | PEDAL MOUNTING PLATE         |      |
| 9  | 02000157 | 3  | 木螺钉        | WOOD SCREWS                  |      |
| 10 | 00705065 | 3  | 十字盘头螺钉M5X6 | PHILLIPS PAN HEAD SCREW M5X6 |      |
| 11 | 10822940 | 1  | 地线A        |                              |      |



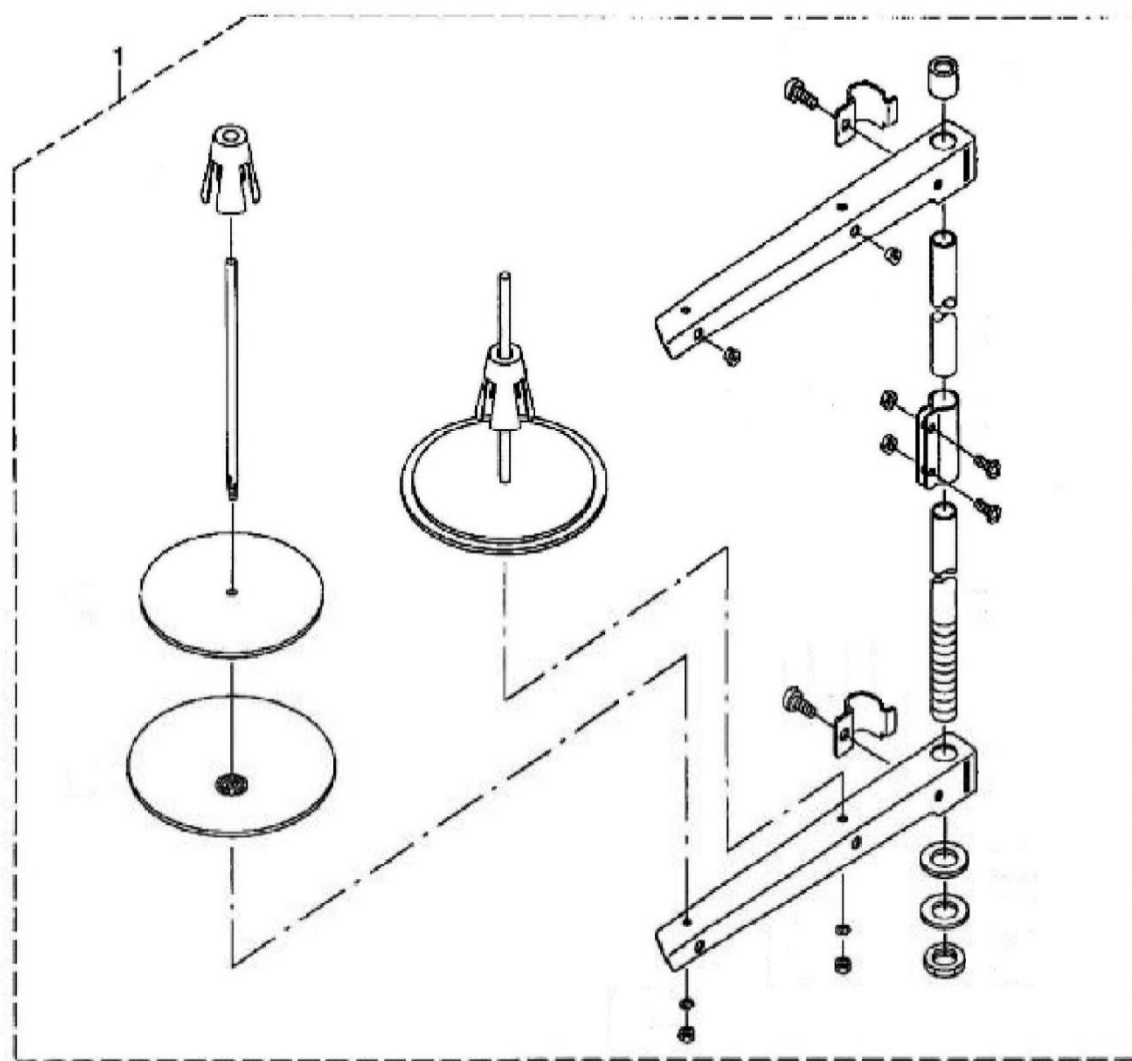
## 11. 操作屏装置/Operation screen device

| NO | 零部件号     | 数量 | 零部件名称  | NAME OF PARTS              | 老助记码 |
|----|----------|----|--------|----------------------------|------|
| 1  | 10830750 | 1  | 触摸屏    | TOUCH SCREEN               |      |
| 2  | 10833550 | 1  | 安装座    | MOUNTING SEAT              |      |
| 3  | 10745880 | 1  | 触摸屏转接线 | TOUCH SCREEN CABLE         |      |
| 4  | 10744440 | 1  | 触摸屏连接线 | TOUCH SCREEN ADAPTER CABLE |      |



## 12. 附件/Appendix

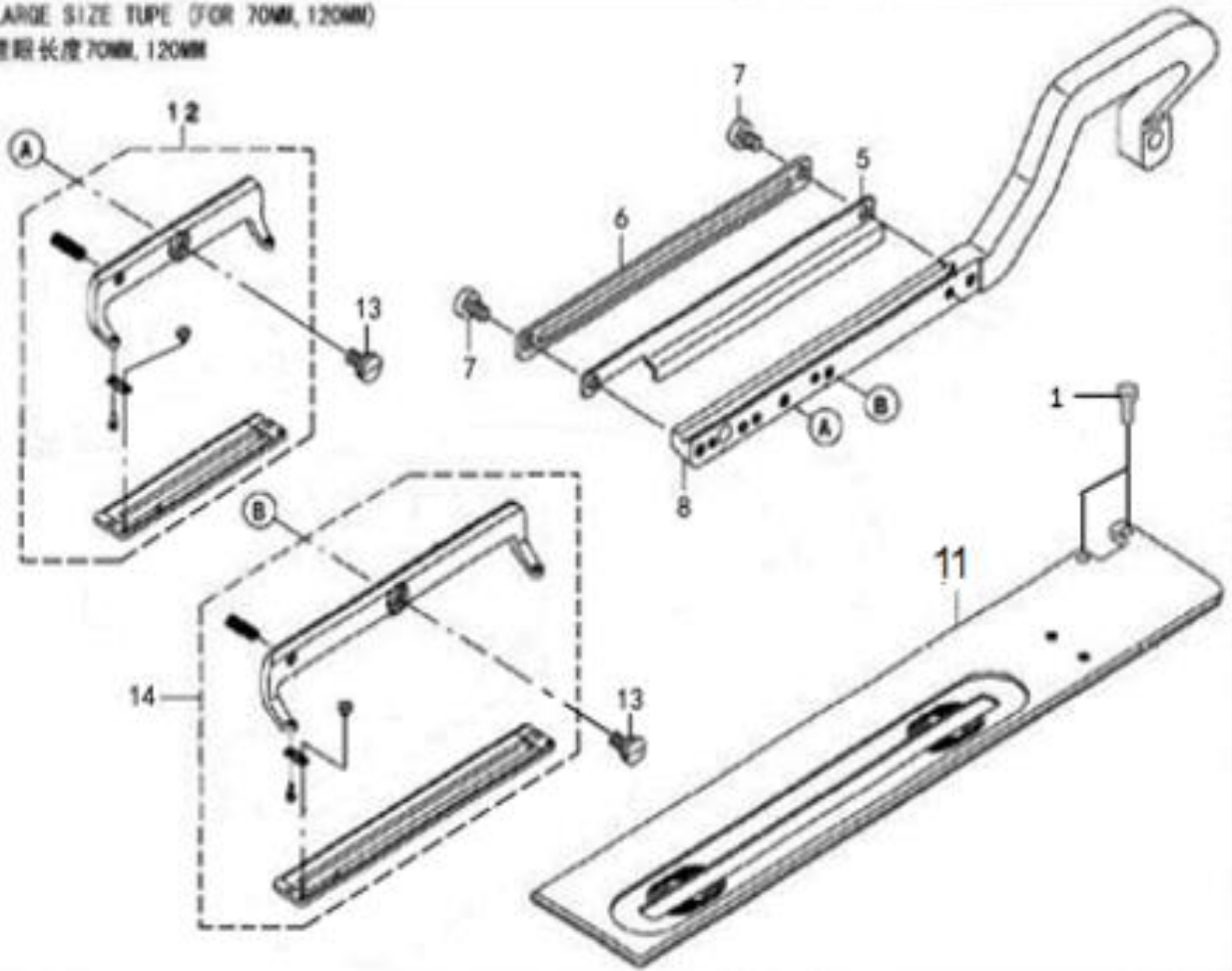
| NO | 零部件号     | 数量 | 零部件名称          | NAME OF PARTS                        | 老助记码 |
|----|----------|----|----------------|--------------------------------------|------|
| 1  | 10103680 | 1  | 机头罩            | HOOD                                 |      |
| 2  | 10103530 | 1  | 小起子1.9X52      | SMALL SCREWDRIVER 1.9X52             |      |
| 3  | 10103540 | 1  | 起子3.4X70       | SCREWDRIVER 3.4X70                   |      |
| 4  | 13101370 | 1  | 梭芯             | BOBBIN                               |      |
| 5  | 10780500 | 4  | 机针DPX5 11#     | MACHINE NEEDLE DPX5 11#              |      |
| 6  | 13103620 | 1  | 内六角扳手          | ALLEN WRENCH                         |      |
| 7  | 10814270 | 1  | 1790DS零件手册     | 1790DS PARTS MANUAL                  |      |
| 9  | 10103670 | 7  | U形卡钉10X20      | U-SHAPED STAPLES 10X20               |      |
| 10 | 02000157 | 3  | 圆头木螺钉M4.5X20   |                                      |      |
| 11 | 10104000 | 1  | 机头吸油纸          | MACHINE HEAD BLOTTING PAPER          |      |
| 12 | 13103650 | 1  | 拉杆组件(长)        | TIE ROD ASSEMBLY (LONG)              |      |
| 13 | 131-41   | 1  | 辅助桌板组件         | 1790DS AUXILIARY TABLE               |      |
| 14 | 13206100 | 1  | 镊子             | TWEEZERS                             |      |
| 15 | 10103790 | 1  | 润滑脂注入口         | GREASE INLET                         |      |
| 16 | 10103480 | 1  | 油壶组件           | OIL CAN COMPONENTS                   |      |
| 17 | 01206100 | 6  | 内六角螺栓(镀镍)M6X10 | HEXAGON SOCKET HEAD BOLT M6X10       |      |
| 18 | 13103680 | 1  | 切刀1吋           | CUTTER 1 INCH                        |      |
| 19 | 10103780 | 1  | 润滑脂壳           | GREASE SHELL                         |      |
| 20 | 10103490 | 1  | 油罐组件           | OIL TANK COMPONENTS                  |      |
| 21 | 13103690 | 1  | 切刀5/8"         | CUTTER 5/8"                          |      |
| 22 | 13103850 | 1  | 包装底垫块A(1790)   | PACKING BOTTOM BLOCK A (1790)        |      |
| 23 | 13103860 | 1  | 包装底垫块B(1790)   | PACKING BOTTOM BLOCK B (1790)        |      |
| 24 | 131-39   | 1  | 1790护目镜组件      | 1790 GOGGLES ASSEMBLY                |      |
| 25 | 13100630 | 1  | 橡胶铰链(用于K款)     | RUBBER HINGE (FOR K STYLE)           |      |
| 25 | 13100620 | 1  | 橡胶铰链(用于S款)     | RUBBER HINGE (FOR S STYLE)           |      |
| 26 | 13100500 | 2  | 铰链轴            | HINGE SHAFT                          |      |
| 27 | 13100510 | 1  | 铰链座A           | HINGE SEAT A                         |      |
| 28 | 13100520 | 1  | 铰链座B           | HINGE SEAT B                         |      |
| 29 | 13100490 | 1  | 铰链套            | HINGE SLEEVE                         |      |
| 30 | 00406050 | 8  | 六角螺母M6*5       | HEX NUT M6*5                         |      |
| 31 | 13100530 | 1  | 防油罩            | OIL COVER                            |      |
| 32 | 13103630 | 1  | 定时调节钩(1790K)   | TIMING ADJUSTMENT HOOK (1790K)       |      |
| 32 | 13103720 | 1  | 定时调节钩(1790S)   | TIMING ADJUSTMENT HOOK (1790S)       |      |
| 33 | 13103730 | 1  | 切刀3/8"         | CUTTER 3/8"                          |      |
| 34 | 10814280 | 1  | 1790DS使用说明书    | 1790DS INSTRUCTION MANUAL            |      |
| 35 | 10772880 | 1  | 把手             | HANDLE                               |      |
| 36 | 10106250 | 1  | 电源标签           | POWER LABEL                          |      |
| 37 | ZJ000169 | 1  | 1790DS油盘组件     | 1790DS OIL PAN ASSEMBLY              |      |
| 38 | 13103770 | 1  | 内六角扳手M3        | ALLEN KEY M3                         |      |
| 39 | 10103550 | 1  | 起子5.5X190      | SCREWDRIVER 5.5X190                  |      |
| 40 | 13100450 | 1  | 底座盖板           | BASE COVER                           |      |
| 41 | 13103810 | 1  | 机头支撑柱          | HEAD SUPPORT COLUMN                  |      |
| 42 | 13100610 | 4  | 橡胶垫片(1790K)    | RUBBER GASKET (1790K)                |      |
| 42 | 13100600 | 4  | 橡胶垫片(1790S)    | RUBBER GASKET (1790S)                |      |
| 43 | 01745162 | 6  | 木螺钉M4.5X16     | WOOD SCREW M4.5X16                   |      |
| 44 | 02000018 | 4  | 内六角螺栓M4X8(发黑)  | HEXAGON SOCKET BOLT M4X8 (BLACKENED) |      |
| 45 | 10736200 | 1  | 1790DS上泡沫箱     | 1790DS UPPER FOAM BOX                |      |
| 46 | 50104040 | 3  | 扎带4X150(黑色)    | CABLE TIE 4X150 (BLACK)              |      |
| 47 | 01735165 | 6  | 木螺钉M3.5X16     | WOOD SCREW M3.5X16                   |      |
| 48 | 01206650 | 4  | 内六角螺栓M6X65     | HEXAGON SOCKET BOLT M6X65            |      |
| 49 | 00506070 | 4  | 平垫圈L6          | FLAT WASHER L6                       |      |
| 50 | 00606000 | 4  | 弹簧垫圈2-6        | SPRING WASHER 2-6                    |      |
| 51 | 10734640 | 1  | 1790DS下泡沫箱     | 1790DS LOWER FOAM BOX                |      |
| 52 | 30131180 | 1  | 风扇保护罩(50x50)   | FAN PROTECTION COVER (50X50)         |      |
| 53 | 01504100 | 4  | 十字盘头螺钉M4X10    | PHILLIPS PAN HEAD SCREW M4X10        |      |



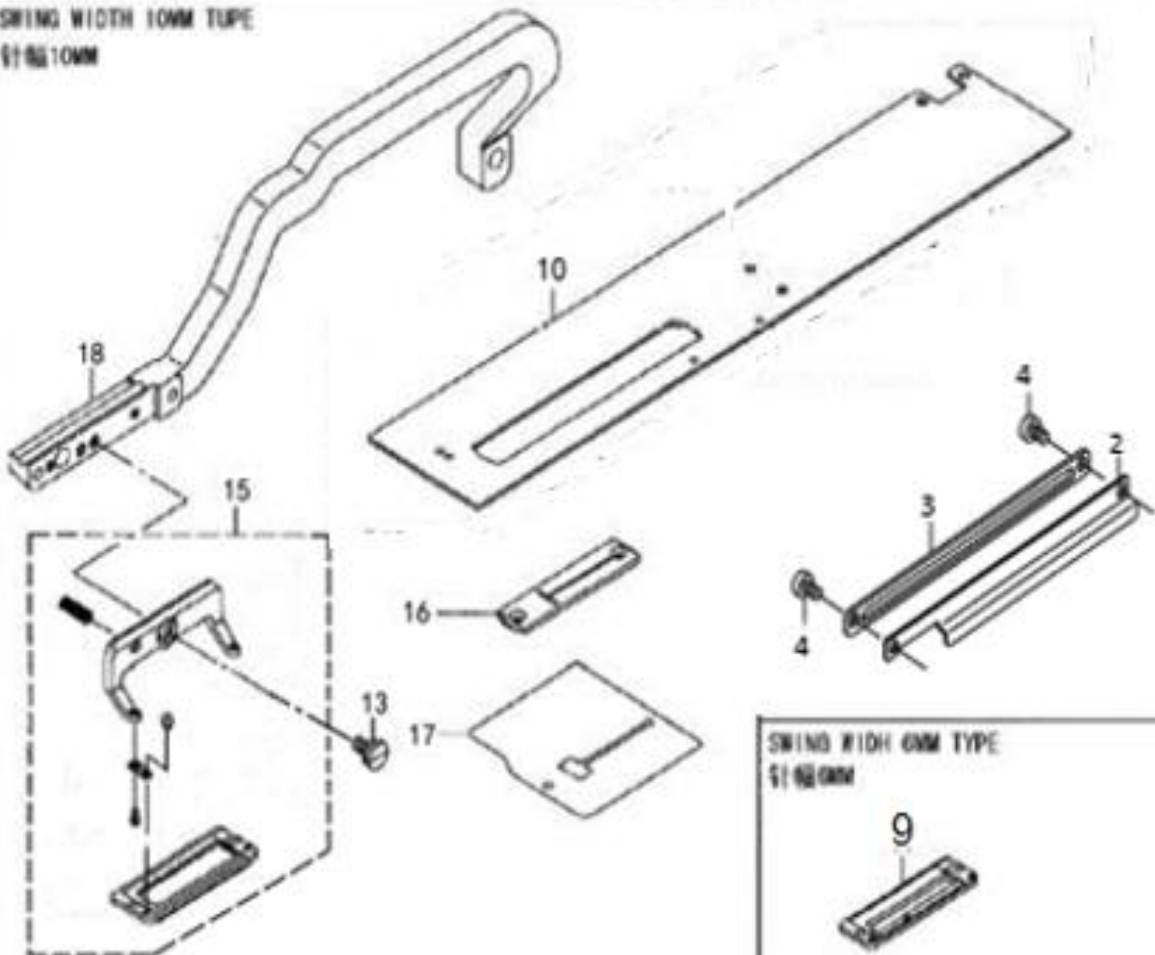
## 13. 线架装置部件/Wire rack device parts

| NO | 零部件号     | 数量 | 零部件名称   | NAME OF PARTS          | 老助记码 |
|----|----------|----|---------|------------------------|------|
| 1  | 10103650 | 1  | 线架组件2DR | WIRE RACK ASSEMBLY 2DR |      |

LARGE SIZE TUPE (FOR 70MM, 120MM)  
 锁眼长度70MM, 120MM



SWING WIDTH 10MM TUPE  
 针幅10MM



SWING WIDTH 6MM TYPE  
 针幅6MM



## 14. 特殊类型部件/Special type parts

| NO | 零部件号     | 数量 | 零部件名称            | NAME OF PARTS                        | 老助记码 |
|----|----------|----|------------------|--------------------------------------|------|
| 1  | 01204085 | 2  | 内六角螺栓M4X8        | HEXAGON SOCKET BOLT M4X8             |      |
| 2  | 13101870 | 1  | 剪线板              | TRIMMING BOARD                       |      |
| 3  | 13101750 | 1  | 压脚前后送料导向板        | FEEDING GUIDE PLATE BEFORE AND AFTER |      |
| 4  | 02000044 | 2  | 一字螺钉M5X8         | SLOTTED SCREW M5X8                   |      |
| 5  | 13103920 | 1  | 剪线板120B          | THREAD TRIMMING BOARD 120B           |      |
| 6  | 13103930 | 1  | 压脚前后送料导向板120     | PRESSER FOOT FEEDING GUIDE PLATE 120 |      |
| 7  | 02000044 | 2  | 一字螺钉M5X8 (镀镍)    | SLOTTED SCREW M5X8 (NICKEL-PLATED)   |      |
| 8  | 13103940 | 1  | 压脚支架120MM        | PRESSER FOOT BRACKET 120MM           |      |
| 9  | 13104340 | 1  | 压脚板 (S) (宽幅10mm) | PRESSER FOOT PLATE (S) (WIDTH 10MM)  |      |
| 10 | 13101540 | 1  | 送料板              | FEEDING PLATE                        |      |
| 11 | 13103950 | 1  | 送料板120MM         | FEEDING PLATE 120MM                  |      |
| 12 | 13101900 | 1  | 压脚组件 (1790S)     | PRESSER FOOT ASSEMBLY (1790S)        |      |
| 13 | 13104110 | 3  | 一字压脚螺钉 (镀镍)      | SLOTTED PRESSER FOOT SCREW           |      |
| 14 | 13103970 | 1  | 压脚组件120MM        | PRESSER FOOT ASSEMBLY 120MM          |      |
| 15 | 13101880 | 1  | 压脚组件 (1790K)     | PRESSER FOOT ASSEMBLY (1790K)        |      |
| 16 | 13104360 | 1  | 针板 (宽幅10mm)      | NEEDLE PLATE (WIDTH 10MM)            |      |
| 17 | 13104350 | 1  | 防油板 (宽幅10mm)     | OIL-PROOF BOARD (WIDTH 10MM)         |      |
| 18 | 13104330 | 1  | 压脚支架 (宽幅10mm)    | PRESSER FOOT HOLDER (WIDTH 10MM)     |      |